

# TOOL TREE STORAGE SOLUTIONS

TC1 Tool Tree Kit | Ordering Information



## 1. BODY BUILDER EXTRUSION

Kit Order #	Max # of Tool Holders
B-30-300-0	4
B-30-400-0	6
B-30-500-0	8

## 2. TOOL HOLDER CLAMP KIT

TC-050H-02

## 3. END MOUNT CLAMP

CPI-CLM-30B-20F

How To Order: (Example for above configured product)

Order #	Description	Qty	Page
1 B-30-300-0	Body Builder Extrusion	1	2
2 TC-050H-02	Tool Holder Clamp Kit	5	3
3 CPI-CLM-30B-20F	End Mount Clamp	1	4

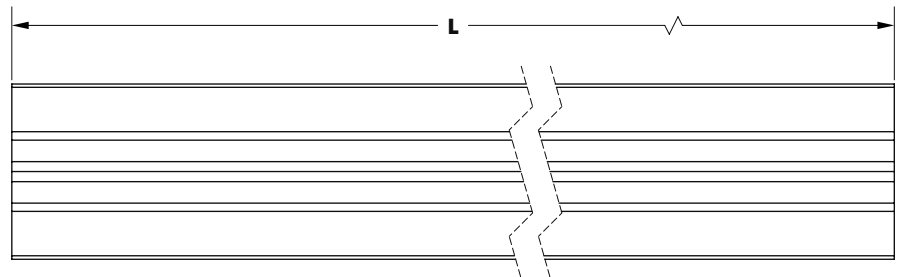
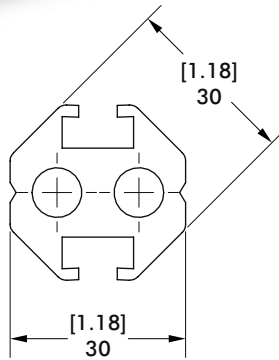
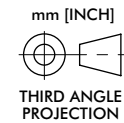
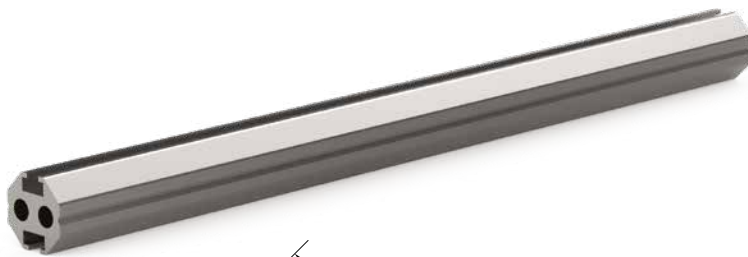
# TOOL TREE STORAGE SOLUTIONS

## TC1 Tool Tree Kit | Dimensions and Specifications

### B-30-XXX-0 Body Builder Extrusion

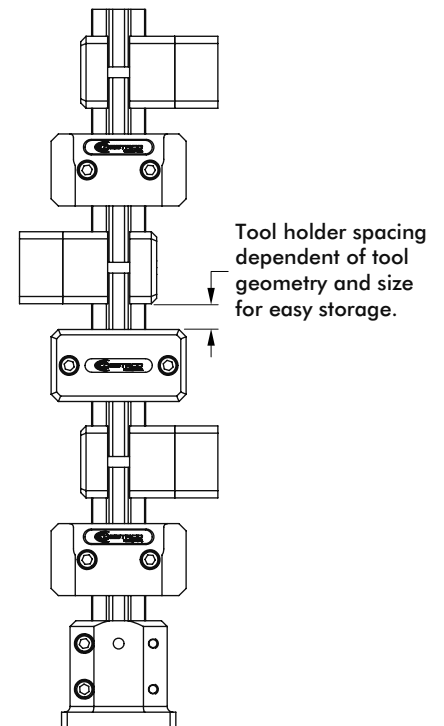
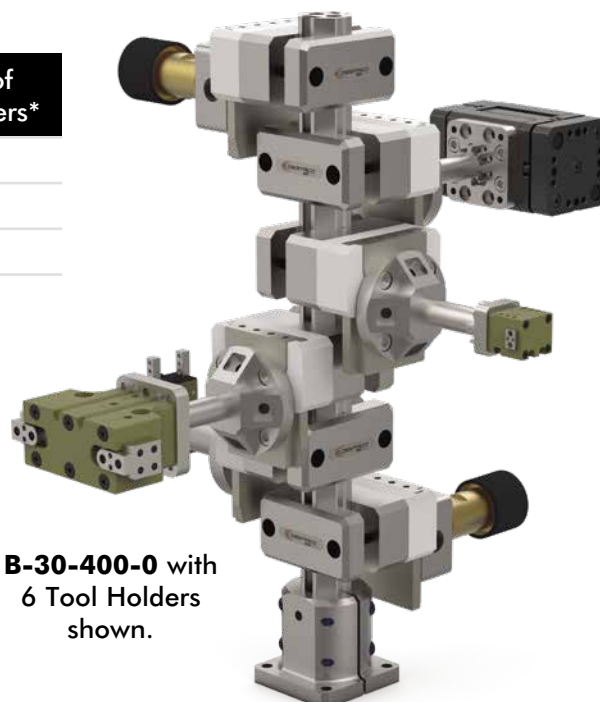
Type	Size	Length	Option
<b>B</b>	<b>30</b>	<b>XXX</b>	<b>0</b>

Specifications:	Units	B-30-300-0	B-30-400-0	B-30-500-0
Length [L]:	mm [in]	300 [11.8]	400 [15.7]	500 [19.7]
Material:		Aluminum	Aluminum	Aluminum
Weight:	Kg [lb]	0.38 [0.84]	0.51 [1.12]	0.64 [1.4]



Order #	Max # of Tool Holders*
B-30-300-0	4
B-30-400-0	6
B-30-500-0	8

\*Note: indicates number of Tool Holder suggested considering shown distances and tooling.



# TOOL TREE STORAGE SOLUTIONS

TC1 Tool Tree Kit | Dimensions and Specifications



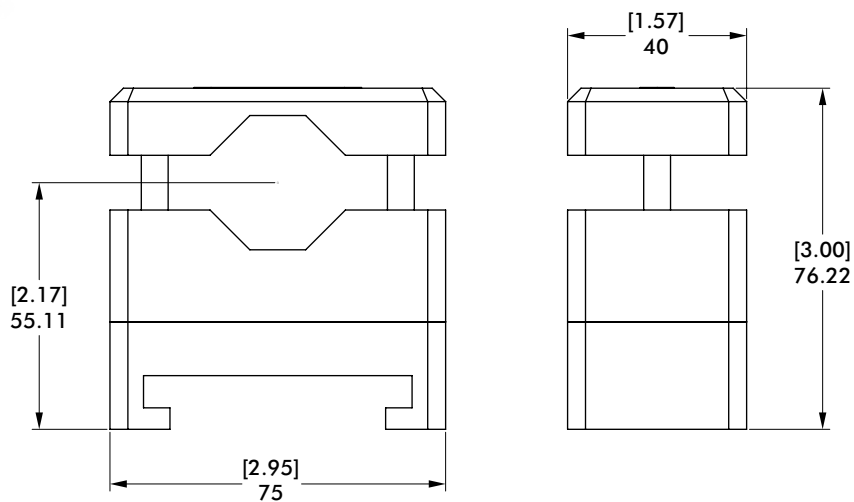
## TC-050H-02 Tool Holder Clamp Kit

TC-1      Tool Holder      Style  
**TC**      **050H**      **02**



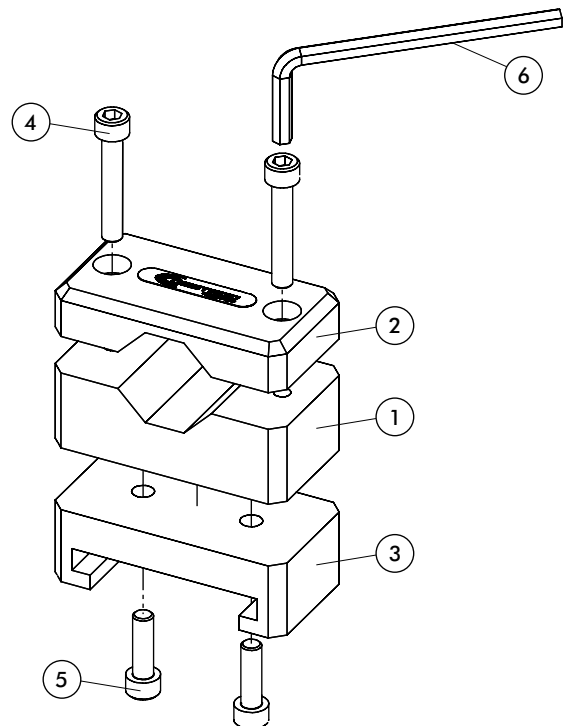
Specifications:	Units	TC-050H-02
Weight:	Kg [lb]	0,37 [0.81]
Material:		Aluminum & Delrin

mm [INCH]  
  
THIRD ANGLE PROJECTION



## TC-050H-02 Tool Holder Clamp Kit Components

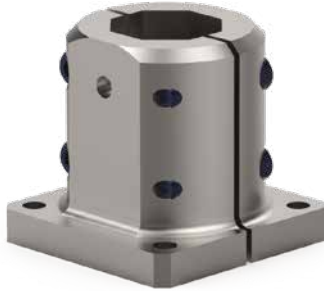
Item	Description	Quantity
1	Mid Mount Body	1
2	Mid Mount Body Cap	1
3	Nest: Tool Holder	1
4	SCHS, M6 x 35mm,Stainless	2
5	SCHS, M6 x 20mm,Stainless	2
6	Wrench,Allen, 5mm Hex	1



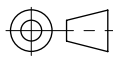
All hardware and tools are provided in the kit

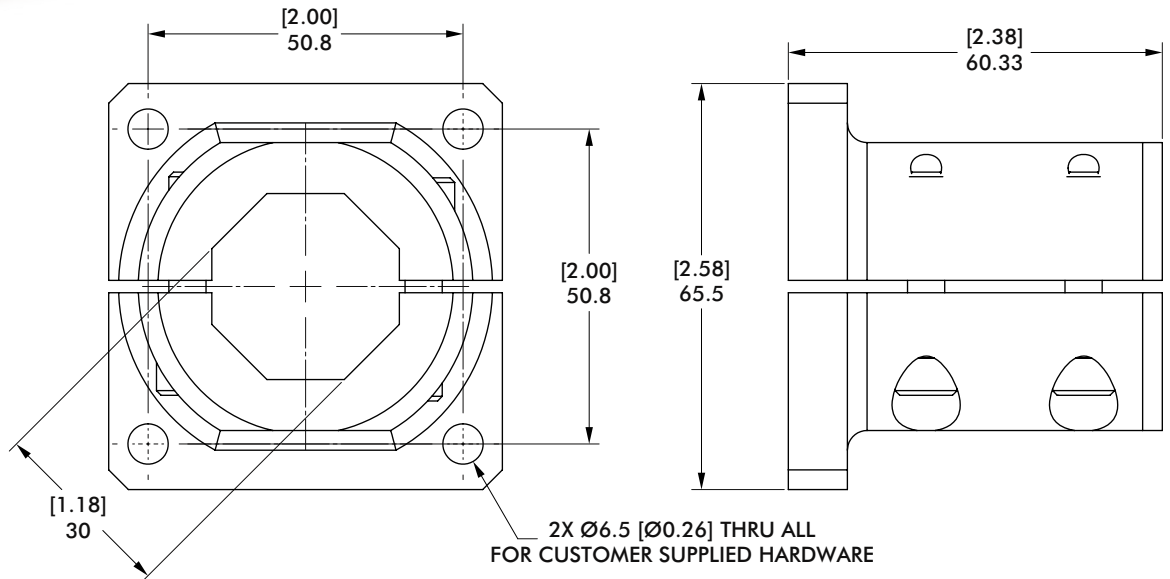
## CPI-CLM-30B-20F End Mount Clamp Kit

**DESTACO Brand** — **Clamp Model** — **Extrusion Size** — **Foot Mount Size**  
**CPI** — **CLM** — **30B** — **20F**



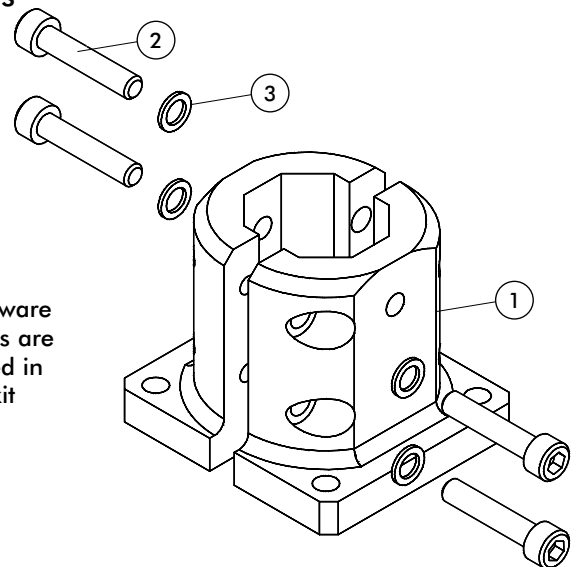
Specifications:	Units	CPI-CLM-30B-20F
Weight:	Kg [lb]	0,29 [0.64]
Material:		Aluminum

mm [INCH]  
  
 THIRD ANGLE PROJECTION



### CPI-CLM-30B-20F End Mount Clamp Kit Components

Item	Description	Quantity
1	Bodybuilder: End Mount Body	2
2	SCHS, M6 x 30mm, Stainless	4
3	Serrated Washer	4



All hardware and tools are provided in the kit