

# SWING INTO A TIGHT SPOT

## 9500 Series Pneumatic Swing Clamps

The only **family** of swing clamps to offer a patented movement with a robust arm connection and rod protection...all in one package.

### The family is expanding...



**Versatile Arm Connection**  
accepts 90° Slot Style Arm (shown, ordered separately) or 360° Radially Adjustable Pinch-on Style Arm

**Fixed Orifice Porting**  
does not require flow controls

**Rod Cover Standard**

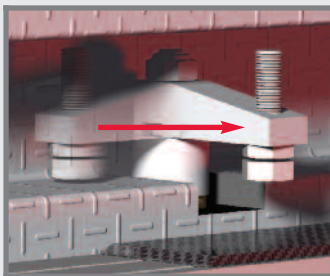
**Horizontal or Vertical**  
Mounting

**Switch Grooves 9530/9540**  
either Ø4mm or 6.5 x 5mm switches (magnet on piston)

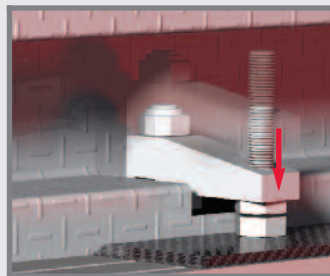
**Switch Grooves 9522**  
Ø4mm only

### No Downward Travel during 90° Swing

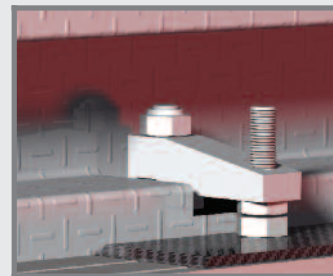
Arm does not move down or up during 90° rotation as shown below, requiring less clearance during arm swing. This allows for operation in restricted or confined work spaces.



90° Lateral swing motion



Straight down clamping

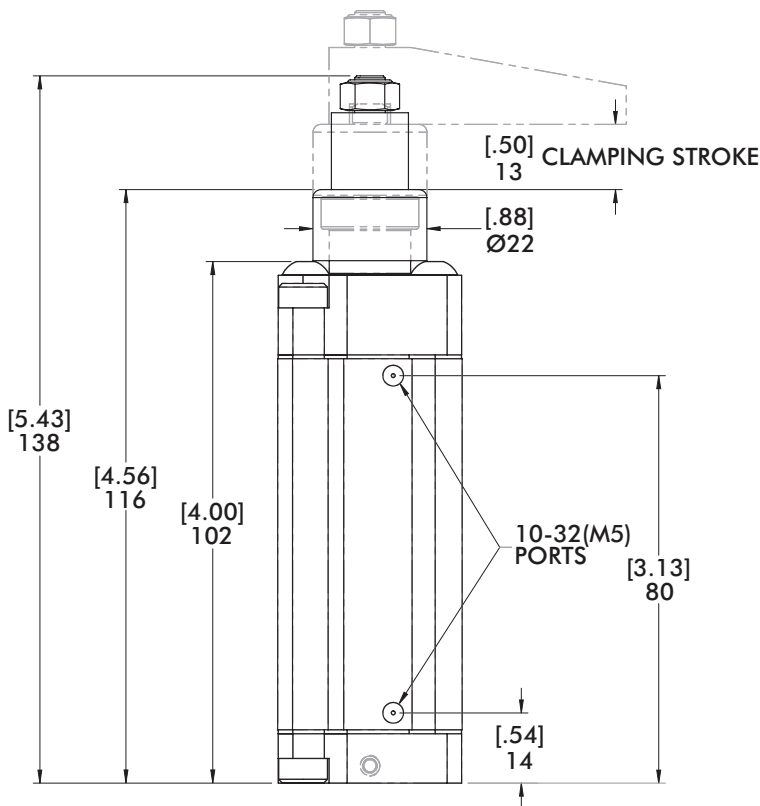
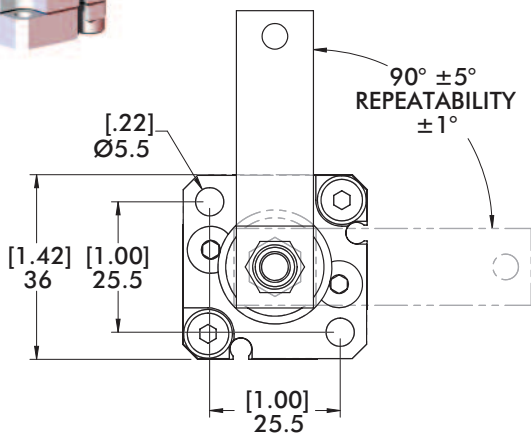


Arm in Clamped Position



# 9500 Series Pneumatic Swing Clamp

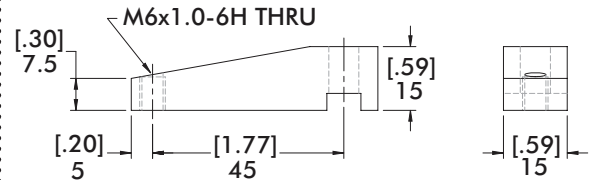
## 9522 Dimensions and Technical Information



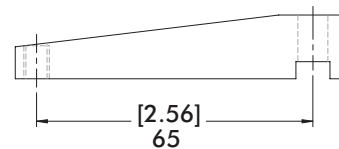
### Clamp Arm Options (Ordered Separately)

These clamp arms can be mounted to the piston rod in 90° increments and can be used on both series

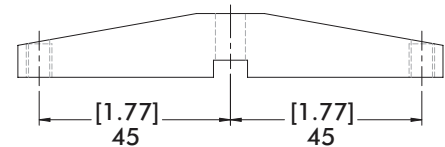
#### 952250 2.00 in. Arm



#### 952253 3.00 in. Arm



#### 952254 2.00 in. "T" Arm



#### 952255 3.00 in. "T" Arm

