

Beyond Pneumatics...

The **DPE Series Electric Parallel Gripper** is the simplest and most durable electric gripper in the industry.

Simplicity:

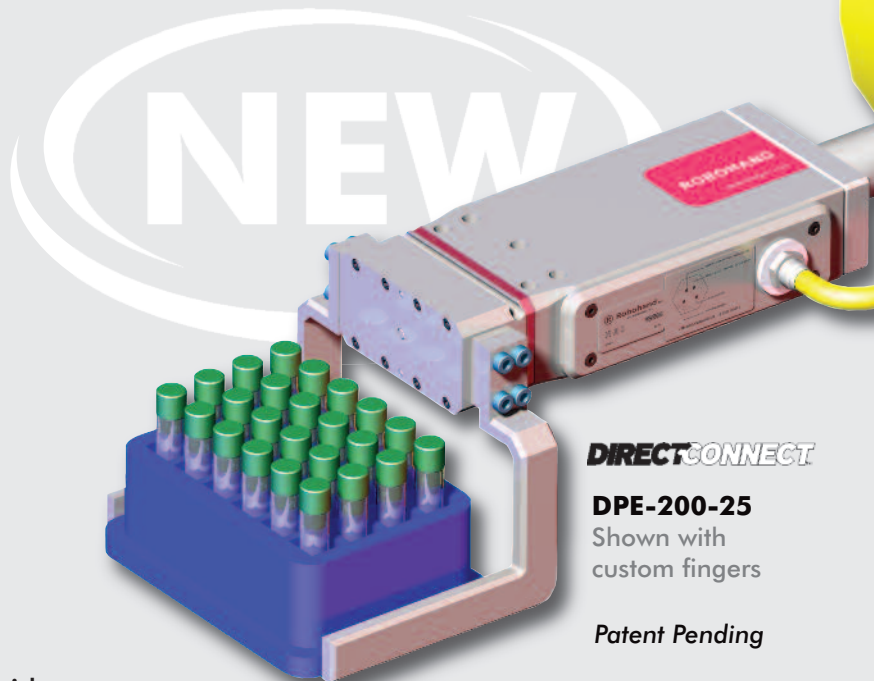
- Plug & play, "light switch" operation
- No programming required, nothing to tune or adjust
- As simple as actuating a pneumatic valve for a pneumatic gripper
- Requires 24VDC, 4.2W continuous
- 4-wire input; power, ground & signals to "open" and "close"
- Multi-position sensing using external magneto-resistive sensors
- Lightweight for robotic applications

Durability:

- Tested to 20 million cycles
- Zero maintenance required...ever
- Lowest cost of ownership compared to either pneumatic or other electric grippers
- High reliability eliminates downtime
- Rugged rack and pinion synchronization & drive
- All electronics are built in

Tough Applications:

- 100 % duty cycle
- Powerful 111N [25 Lbs] grip force
- Long stroke; 25mm [0.98in]
- Fast actuation time; 0.25 seconds for full stroke
- Handles up to 120 parts per minute
- Long finger lengths up to 76.2mm [3.00 in]



DIRECTCONNECT

DPE-200-25

Shown with custom fingers

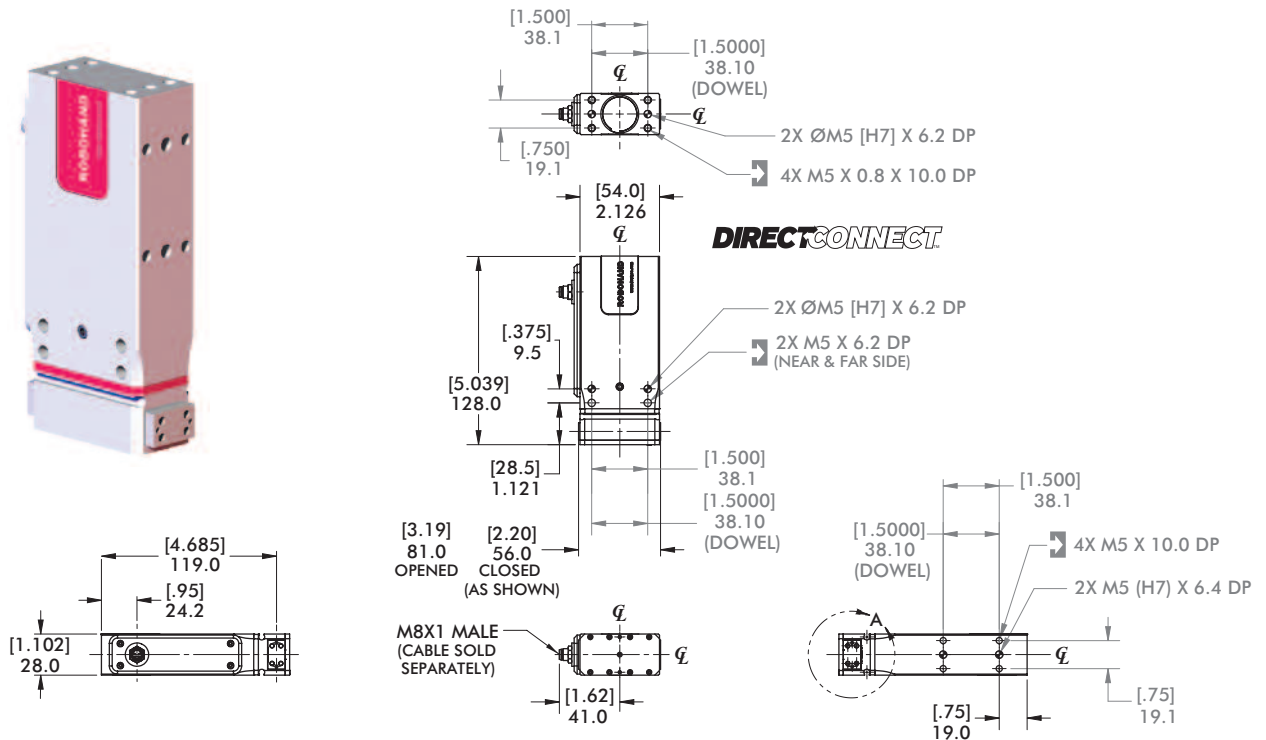
Patent Pending



E-Gripper®

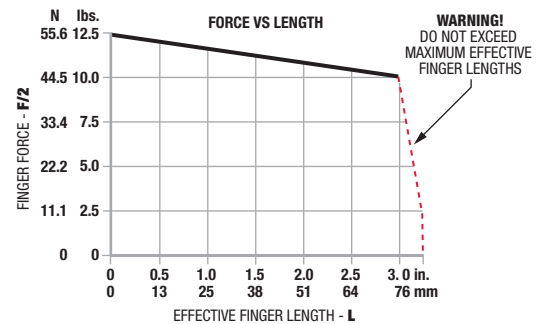
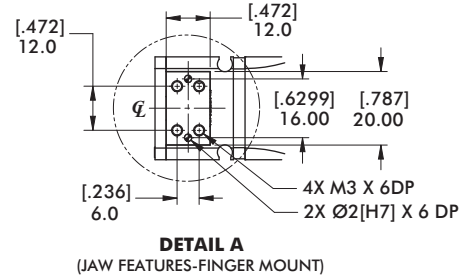


DPE Series with 25mm stroke and DIRECTCONNECT™ mounting



DPE Series Technical Information

Specifications	DPE-200-25
Stroke	25mm [0.98 in]
Total Grip Force	111 N [25 lbf]
Repeatability	±0.025mm [0.001 in]
Accuracy	±0.051mm [0.002 in]
Actuation Time	250 ms
Temperature Range	5° ~ 60°C [41° ~ 140°F]
Power Requirement @ 100% duty cycle:	4.2W
Voltage	24 VDC
Current - Peak:	1.5 Amps Max
Current - Continuous:	0.175 Amps
Protection Class:	IP 54
Weight:	0.53 kg [1.16 lb]
Max Finger Length:	76.2mm [3.00 in]

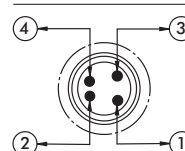


Base Model: **DPE-200-25**

Power and Sensor Accessories (Order separately)

Order No.	Description
CABL-046	4-wire Power and Signal Cable, 5m lon
OHSP-017	PNP Magneto-Resistive Position Sensor
OHSN-017	NPN Magneto-Resistive Position Sensor
CABL-013	Quick Disconnect Sensor Cable, 5m long

ELECTRICAL INTERFACE



PIN OUT (LOOKING INTO HEADER CONNECTOR ON GRIPPER)

- 1 BROWN (+ 24 VDC)
- 2 WHITE (OPEN GRIPPER) +24 VDC = ACTIVE
- 3 BLUE (GROUND)
- 4 BLACK (CLOSE GRIPPER) +24 VDC = ACTIVE

CABLE # CABL-046

RBH_DPE-200-25-F_0511