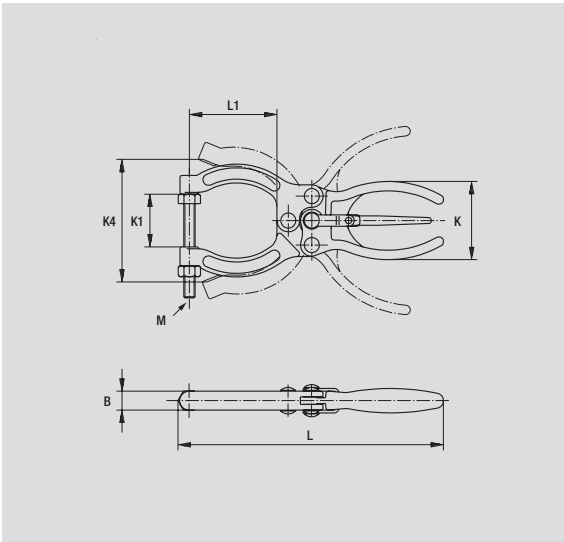




**Model 425**



Model no.	Holding Capacity	[lbs.]	Standard equipment
	[lbs.]		
425	500	0.40	205203-M (hex head)

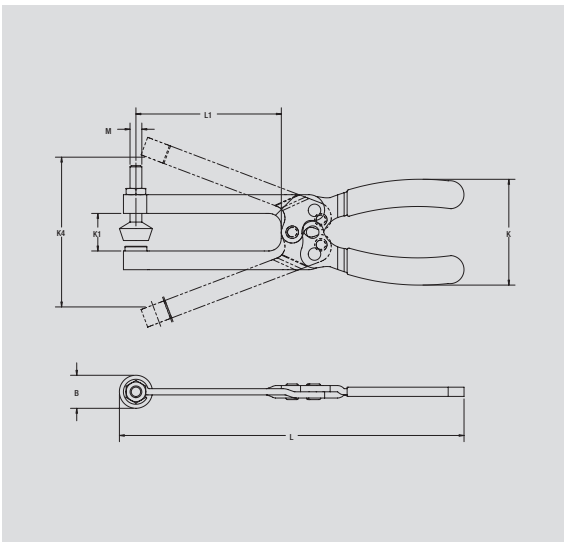
See additional adjustment spindles beginning on page 9.1.

- Two-way trigger release allows for fast and easy opening of clamp



Model no.	B	K	K1	K4	L	L1	M											
425	0.39	1.73	1.10	2.56	5.54	1.83	M6											

**Models 431, 431-2**



Model no.	Holding Capacity	[lbs.]	Standard equipment
	[lbs.]		
431	100	0.30	424208-M (neoprene tipped)
431-2	100	0.30	2x 431208-M (neoprene tipped)

See additional adjustment spindles beginning on page 9.1.



Model 431



Model 431-2

Model no.	B	K	K1	K4	L	L1	M										
431	0.66	2.12	0.75	3.06	6.90	2.93	M6										
431-2 ▲	0.66	2.12	0.75	3.06	6.90	2.93	M6										

▲ Available upon request