

Standard straight-line action clamps



Application areas

Model 6001-M is a heavier duty version of Model 601 and has 50% greater holding capacity. It is manufactured from heavy gauge material and has a more flexible mounting base to enable side-mounting the clamp.

Product features

- Plunger with internal thread
- Rivets made of stainless steel
- Zinc plated and passivated
- Oil-resistant, vinyl dipped handle grip

Model 6001-M

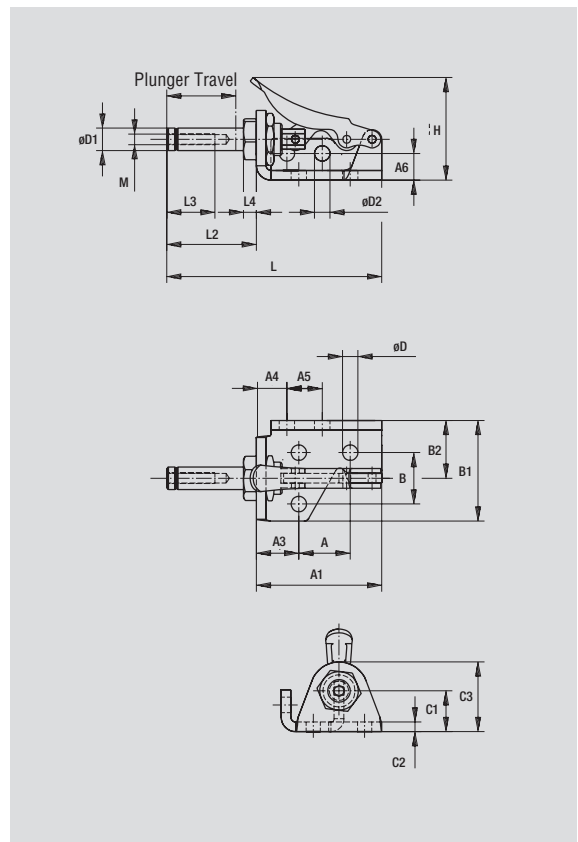
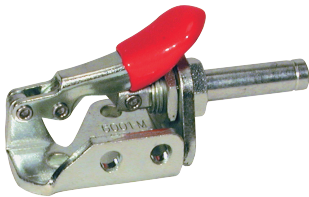
Model no.	Holding Capacity ↔ [lbs.]	Plunger Travel [lbs.]	[lbs.]	Recommendation (not supplied)	Plunger Thread (M)
6001-M	150	0.63	0.12	205208-M	M4

ALSO AVAILABLE

In Stainless Steel Model 6001-MSS Page 8.11

See accessories beginning on page 9.1.

- Model locks in both the extended and retracted positions.



Model no.	A	A1	A3	A4	A5	A6	B	B1	B2	C1	C2	C3	øD	øD1	øD2	H	L	L2	L3	L4
6001-M	0.63	1.54	0.52	0.37	0.43	0.33	0.63	1.23	0.71	0.50	0.12	0.85	0.19	0.28	0.19	1.30	2.63	1.10	0.59	0.16

