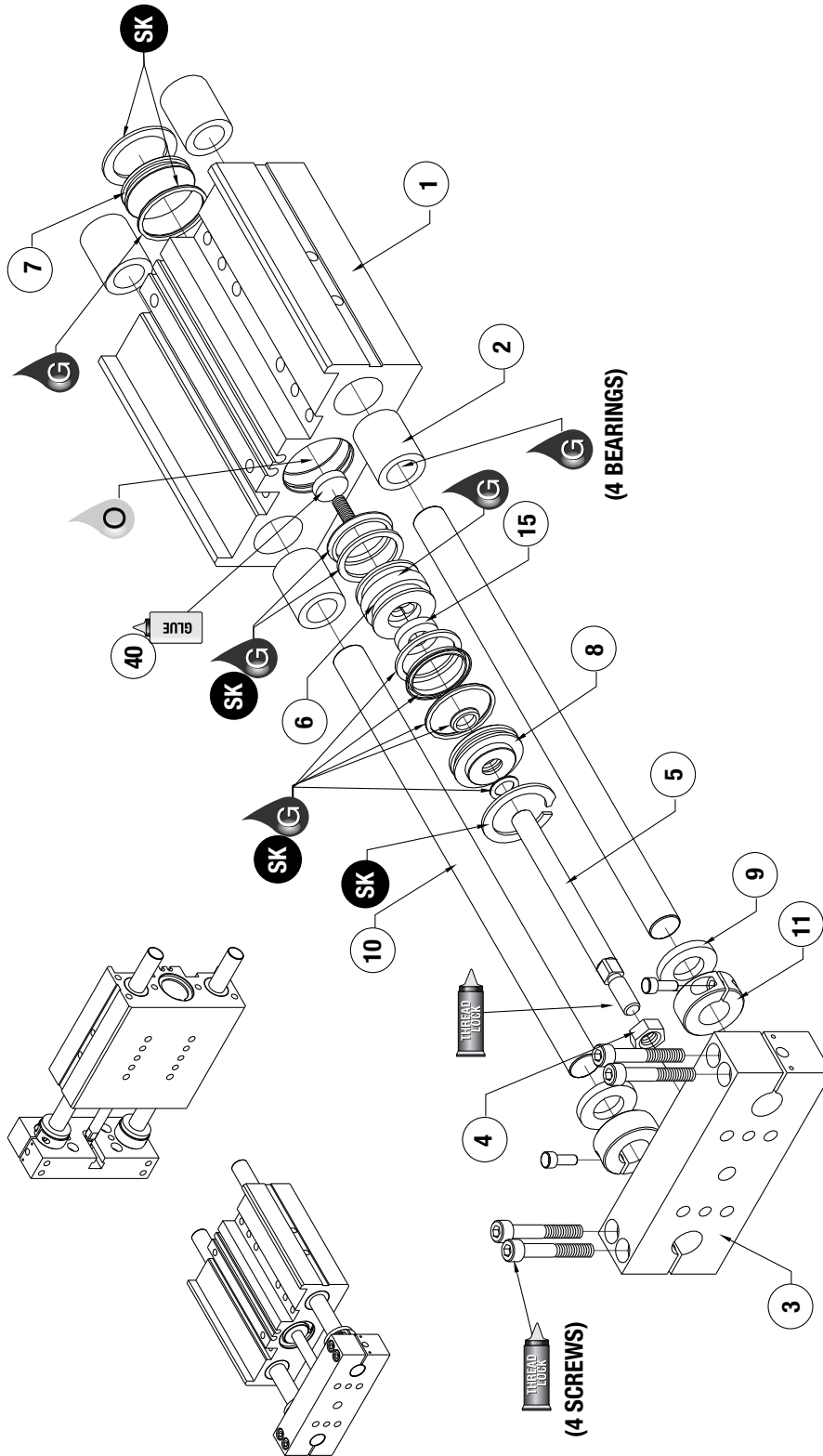


DLT-B, E, L Series Exploded View



Robohand

DLT-B, E, L
SERIES
MAINTENANCE
4.54



Item	Qty	Name
01	1	Body
02	4	Bushing
03	1	Tooling Plate
04	1	Nut, Stover
05	1	Piston Rod
06	1	Piston
07	1	Cap, Plug End
08	1	Cap, Rod End
09	2	Shock Pad,Urethane
10	1	Guide Shaft
11	2	Collar, Split
15	1	Shock Pad, Urethane
40	1	Magnet

NOTE: Contact the Robohand Sales Department for a complete spare parts list with order numbers and prices.

Assembly Procedure

- 1) Lubricate and install seals.
- 2) Attach piston to piston shaft.
- 3) Install magnet on piston.
- 4) Install plug endcap and retaining ring into body.
- 5) Attach piston, piston shaft, and rod end cap to body and install retainer ring.
- 6) Install bearings and shafts into body.
- 7) Attach shock pads and clamp collars to rod end of shafts.
- 8) Install tool plate on rod end of shafts, and attach cylinder rod to plate.
- 9) Adjust clamp collars and fasten them in desired position.

**SK Seal Repair Kit Order #'s
See Product Data Sheets**



Seal Kit
Items



Thread
Locker



Krytox™
Lubricant



Lightweight
Machine Oil



Teflon® Based
Grease



Super
Bonder



Third Angle
Projection



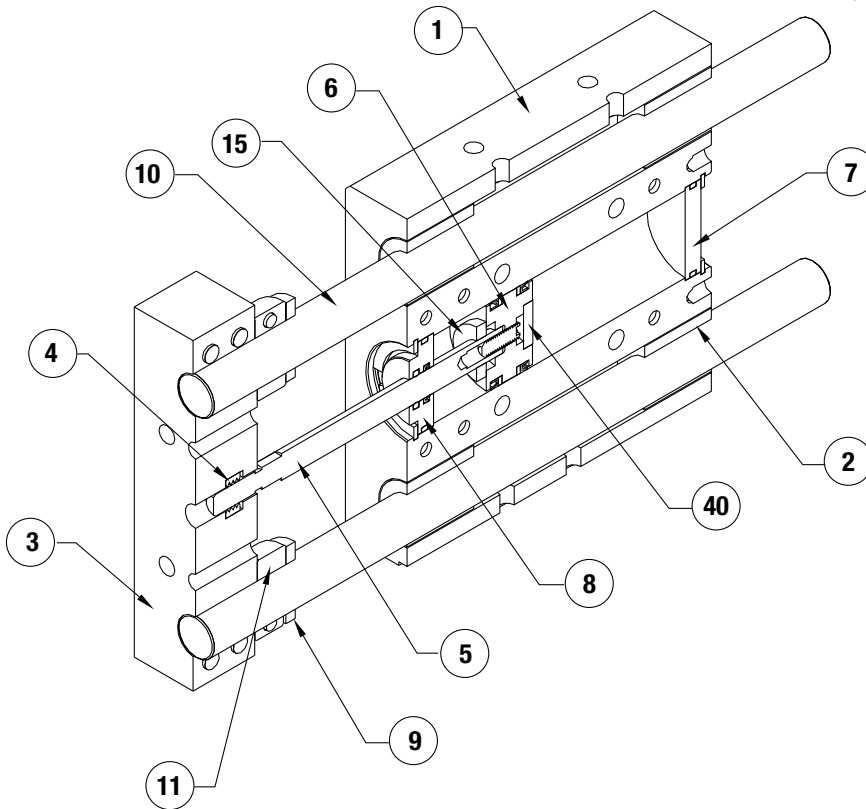
Robohand

DLT-B, E, L Series Assembled View

Item	Qty	Name
01	1	Body
02	4	Bushing
03	1	Tooling Plate
04	1	Nut, Stover
05	1	Piston Rod
06	1	Piston
07	1	Cap, Plug End
08	1	Cap, Rod End
09	2	Shock Pad,Urethane
10	1	Guide Shaft
11	2	Collar, Split
15	1	Shock Pad, Urethane
40	1	Magnet

NOTE: Contact the Robohand Sales Department for a complete spare parts list with order numbers and prices.

NOTE: For accessory mounting, see product data sheets



DLT-B, E, L
SERIES
MAINTENANCE

4.55



Seal Kit
Items



Thread
Locker



Krytox™
Lubricant



Lightweight
Machine Oil



Teflon® Based
Grease



Super
Bonder



Third Angle
Projection