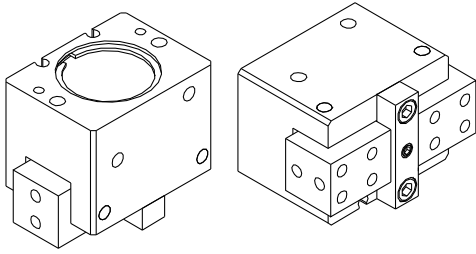


RA-5, 6, 7, 8 Series Exploded View



Robohand

RA 5, 6, 7, 8
SERIES
MAINTENANCE
2.24



Item Qty Name

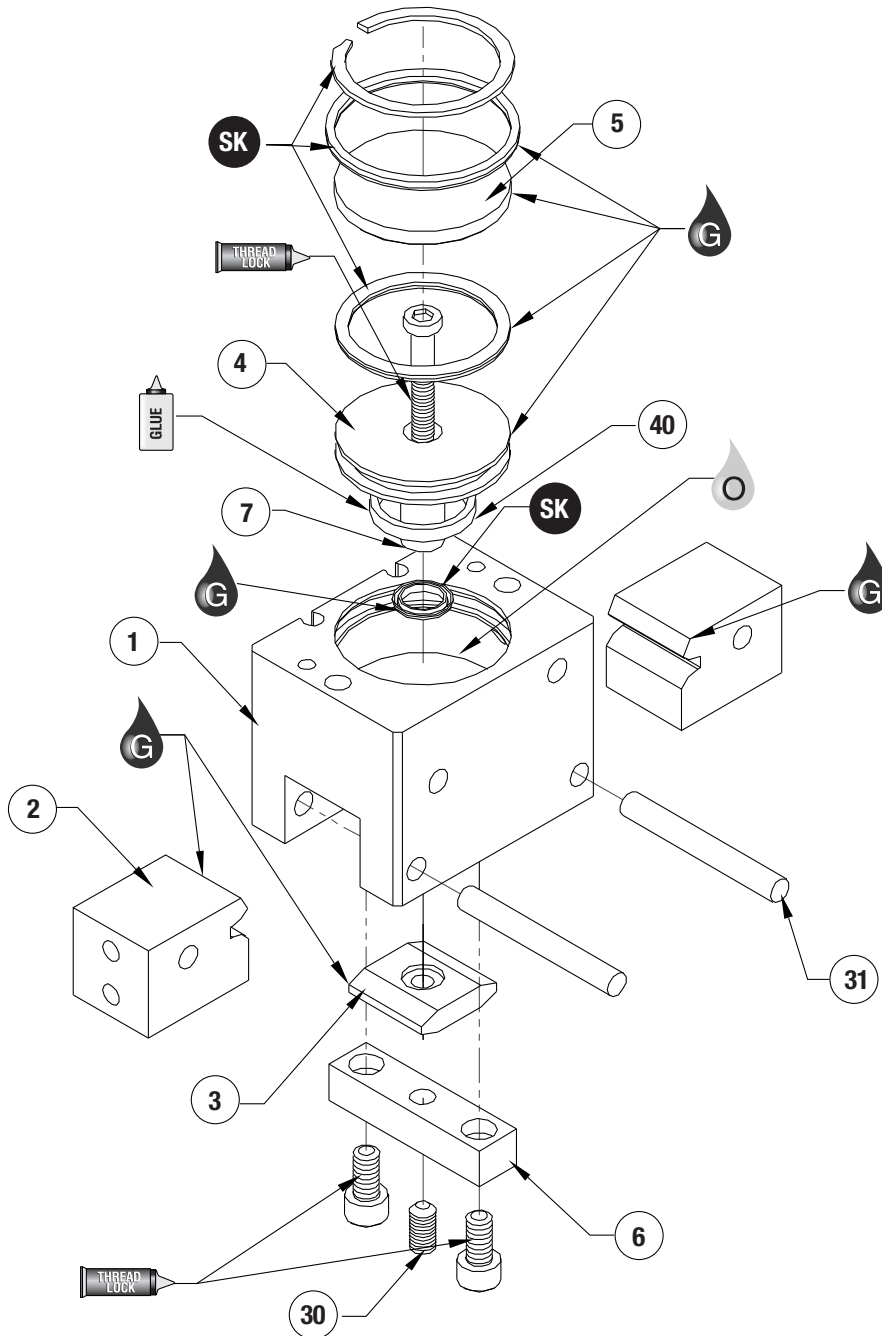
01	1	Body
02	2	Jaw
03	1	Wedge
04	1	Piston
05	1	Cap
06	1	Plate, Adjustment
07	1	Shaft
30	1	SSS, Nylon Patch, Cup Point
31	2	Dowel Pin
40	2	Magnet

NOTE: Contact the Robohand Sales Department for a complete spare parts list with order numbers and prices.

Assembly Procedure

- 1) Lubricate and install seals.
- 2) Glue magnet into piston.
- 3) Install piston and wedge.
- 4) Install jaws (press dowel pins through fingers from air port side).
- 5) Install cap and retaining ring.
- 6) Install adjustment plate.
- 7) Set adjustment screw for desired stroke.

NOTE: Item #7 on RA-7&8 only.



SK Seal Repair Kit Order #'s See Product Data Sheets



Seal Kit Items



Thread Locker



Krytox™ Lubricant



Lightweight Machine Oil



Teflon® Based Grease



Super Bonder

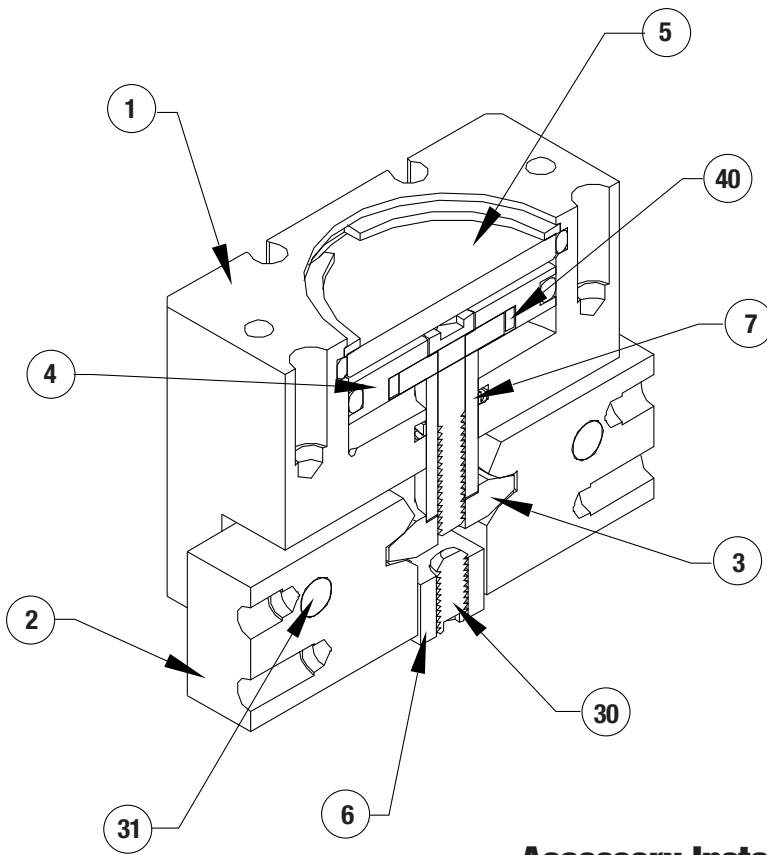


Third Angle Projection



Robohand

RA-5, 6, 7, 8 Series Assembled View



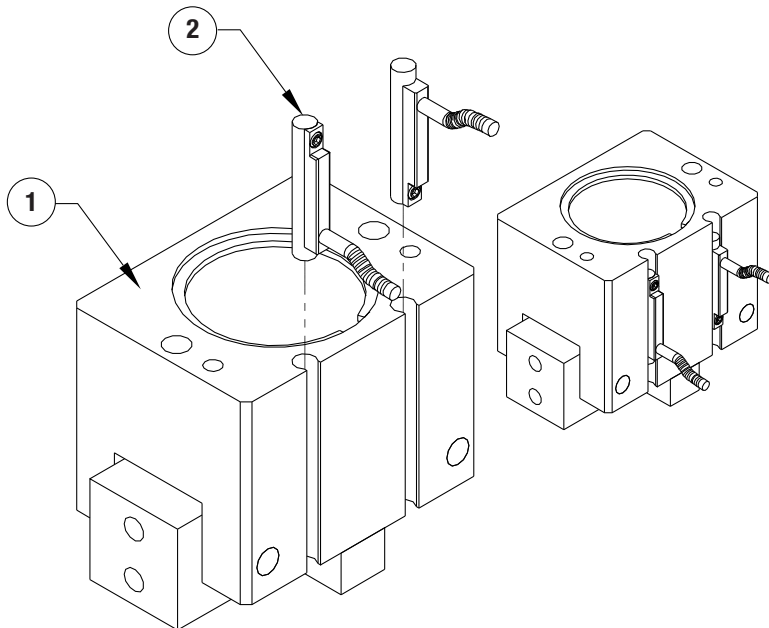
Item Qty Name

01	1	Body
02	2	Jaw
03	1	Wedge
04	1	Piston
05	1	Cap
06	1	Plate, Adjustment
07	1	Shaft
30	1	SSS, Nylon Patch, Cup Point
31	2	Dowel Pin
40	2	Magnet

NOTE: Contact the Robohand Sales Department for a complete spare parts list with order numbers and prices.

RA 5, 6, 7, 8
SERIES
MAINTENANCE
2.25

Accessory Installation & Adjustment Instructions



Installation

- 1) Install sensors in profile slots as shown.
- 2) Set with integrated set screw.



Seal Kit Items



Thread Locker



Krytox™ Lubricant



Lightweight Machine Oil



Teflon® Based Grease



Super Bonder



Third Angle Projection



Robohand

RA-10 Series Exploded View

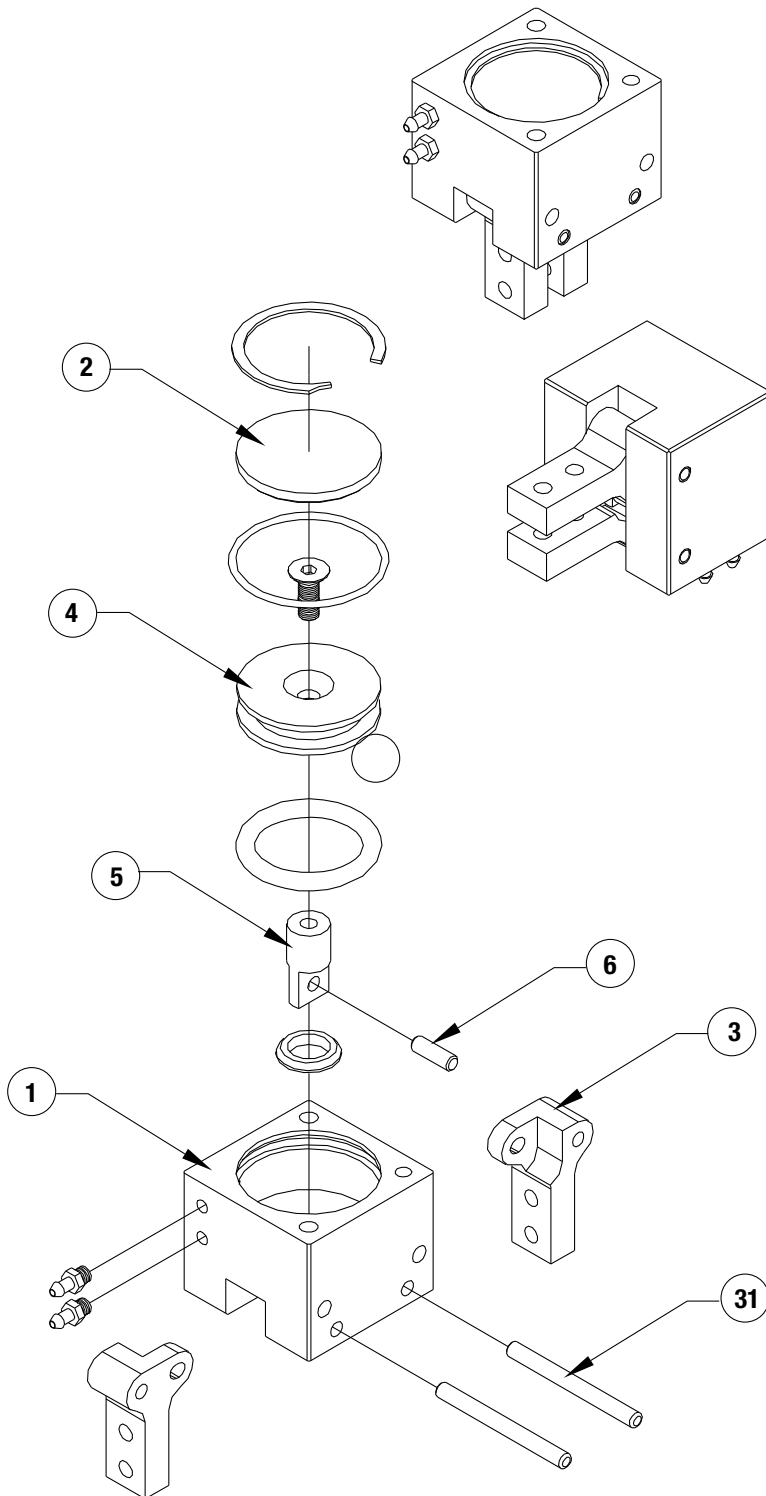
Item	Qty	Name
01	1	Body
02	1	Cap
03	2	Jaw
04	1	Piston
05	1	Shaft
06	1	Pin
31	2	Dowel Pin

RA-10 SERIES
MAINTENANCE

2.27

NOTE: Contact the Robohand Sales Department for a complete spare parts list with order numbers and prices.

SK Seal Repair Kit Order #'s
See Product Data Sheet



Seal Kit Items



Thread Locker



Krytox™ Lubricant



Lightweight Machine Oil



Teflon® Based Grease



Super Bonder



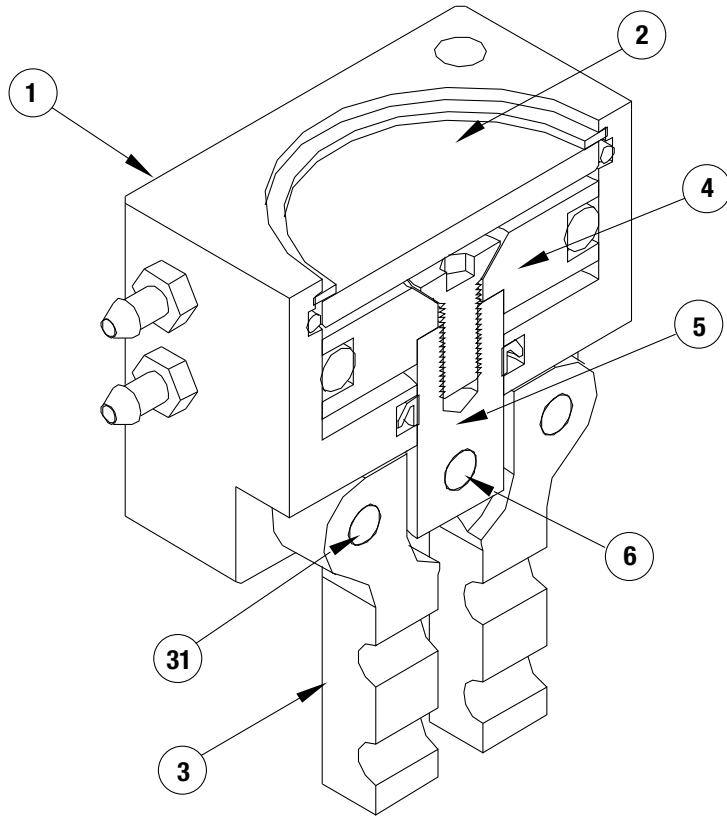
Third Angle Projection

RA-10 Series Assembled View



Robohand

RA-10 SERIES
MAINTENANCE
2.28



Item	Qty	Name
01	1	Body
02	1	Cap
03	2	Jaw
04	1	Piston
05	1	Shaft
06	1	Pin
31	2	Dowel Pin

NOTE: Contact the Robohand Sales Department for a complete spare parts list with order numbers and prices.



Seal Kit Items



Thread Locker



Krytox™ Lubricant



Lightweight Machine Oil



Teflon® Based Grease



Super Bonder



Third Angle Projection