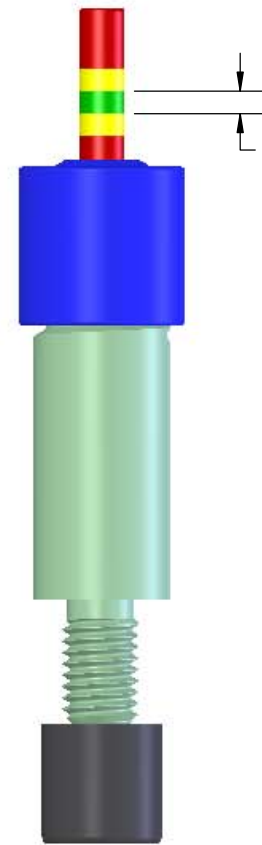
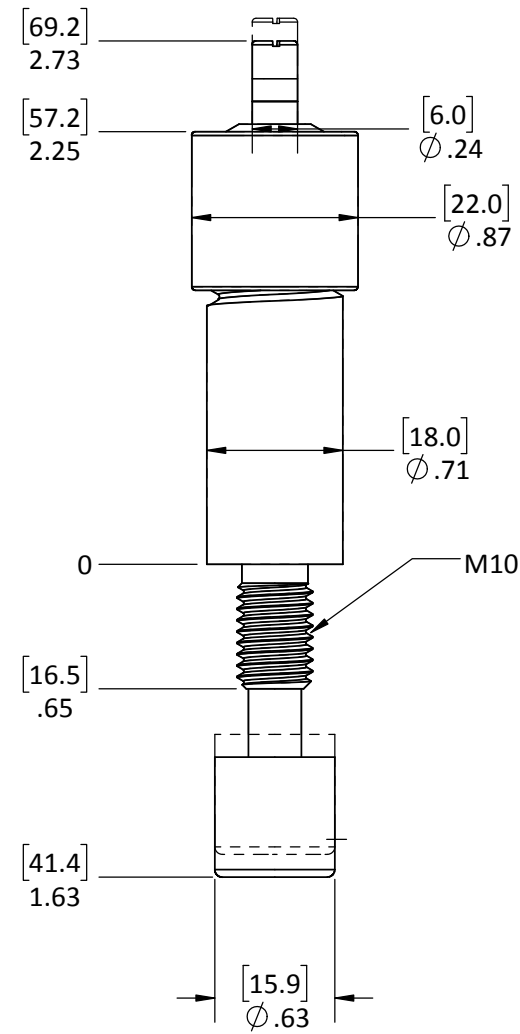
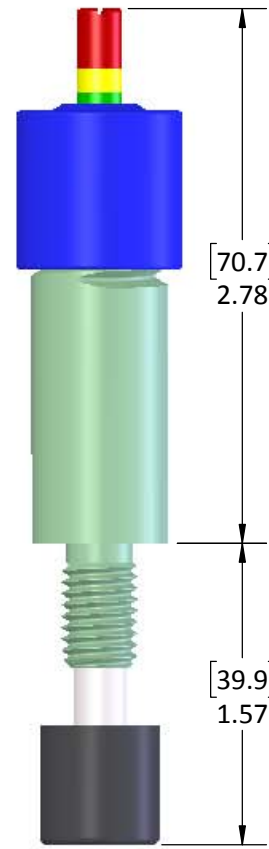


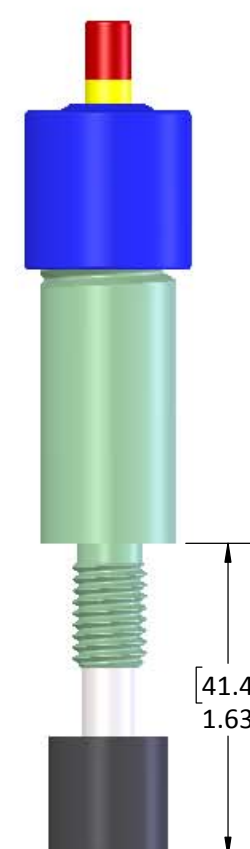
FORCE INDICATING CARTRIDGE



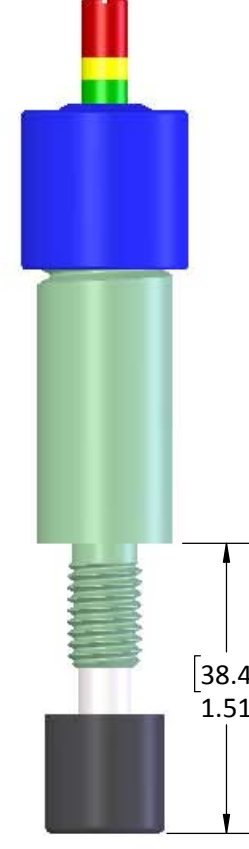
[3.0]
.12
INDICATES
ACCEPTABLE
FORCE



NOMINAL
GREEN ZONE



MINIMUM
GREEN ZONE



MAXIMUM
GREEN ZONE

	NOMINAL LOAD GREEN ZONE	MINIMUM LOAD GREEN ZONE	MAXIMUM LOAD GREEN ZONE
CFC-100-005	5.0 lbs	3.8 lbs	6.2 lbs
CFC-100-010	10.6 lbs	9.1 lbs	12.1 lbs
CFC-100-020	19.8 lbs	16.8 lbs	22.8 lbs
CFC-100-030	30.7 lbs	26.2 lbs	35.2 lbs

ALL LOAD VALUES SHOWN TO BE WITHIN $\pm 10\%$

ADDITIONAL FORCE RANGES AVAILABLE UPON REQUEST

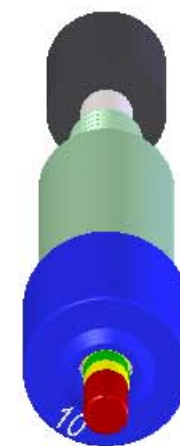
- WEIGHT: 2.1oz. [58.5g]
- NOMINAL LOAD IDENTIFIABLE BY COLOR CODED CAP AND ETCHED VALUE

UNLESS OTHERWISE SPECIFIED

- 1.LIMIT ON .XX DIMENSIONS = $\pm .010$
- 2.LIMIT ON .XXX DIMENSIONS = $\pm .005$
- 3.LIMIT ON .X ANGLE DIMENSIONS = $\pm .5^\circ$
- 4.LIMIT ON WHOLE No. ANGLE = $\pm 1^\circ$
- 5.ALL DIMENSIONS ARE IN INCHES



CFC-100-005



CFC-100-010



CFC-100-020



CFC-100-030