

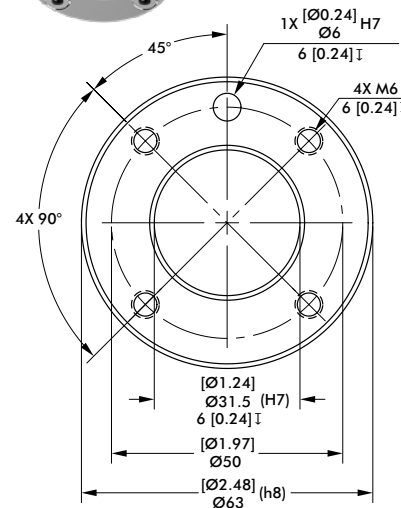
ROBOT DIRECTCONNECT ADAPTER KIT

Compatibility Charts



AP-050-01 Robot Mounting Compatibility

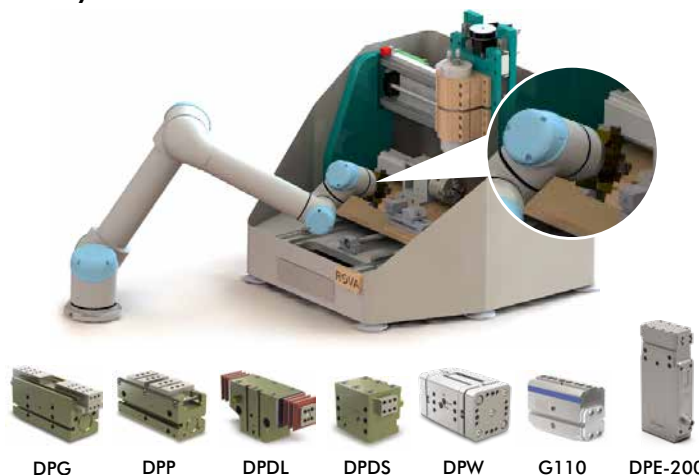
Robot Manufacturer	Model
GENERIC	Any model with ISO-9409-1-50-4-M6 Pattern
ABB	CRB 15000
AUBO	I3, I5, I7, I10
DOBOT	CR - 5
Doosan Robotics	M0609,M1509,M1013,M0617
ESI	C-7, C-15
F&P PERSONAL ROBOTICS	P-ROB 2R-24V, 48V
FRANKA EMIKA	PANDA
HAN'S ROBOTS	ELFIN 3, 5, 10
HANWHA PRECISION MACHINERY	HCR-3, 5, 12
JAKA/KUNLIN	ZU 7, 12
KAWADA INDUSTRIES	NEXTAGE
KUKA	LBR iiwa 7 R800, LBR iiwa 14 R820
MODBOT	Robot, SCARA
Omron TM	TM 5 - 700, TM 5 - 900, TM 12, TM 14
RAINBOW ROBOTICS	RB5
REIS	RV10-6, RV20-6
ROZUM	PULSE 75, 90
SIASUN	GCR5, GCR14, GCR20, SCR3, SCR5
STAUBLI	TX2 90, TX2 TOUCH 90, TX2 TOUCH 90L, TX2 TOUCH 90XL
TECHMAN	TM5M-700, TM5M-900, TM12M, TM14M
UNIVERSAL ROBOTS	UR3, UR5, UR10, UR16



ISO-9409-1-50-4-M6 Robot Mounting Pattern

AP-050-01 Robohand Gripper Mounting Compatibility

Robohand Products	Compatible Series	Description
DPG	All Size	Pneumatic 2-Jaw Parallel Gripper
DPDL	047, 056, 088	
DPDS	047, 056, 088	
DPP	10M, 14M	
DPW	250M	
G110, G120	08, 11	
DPE	200-25	Electric 2-Jaw Parallel Gripper



ROBOT DIRECTCONNECT ADAPTER KIT

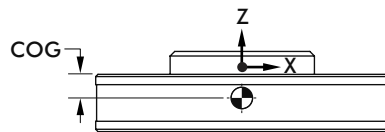
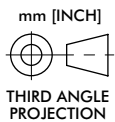
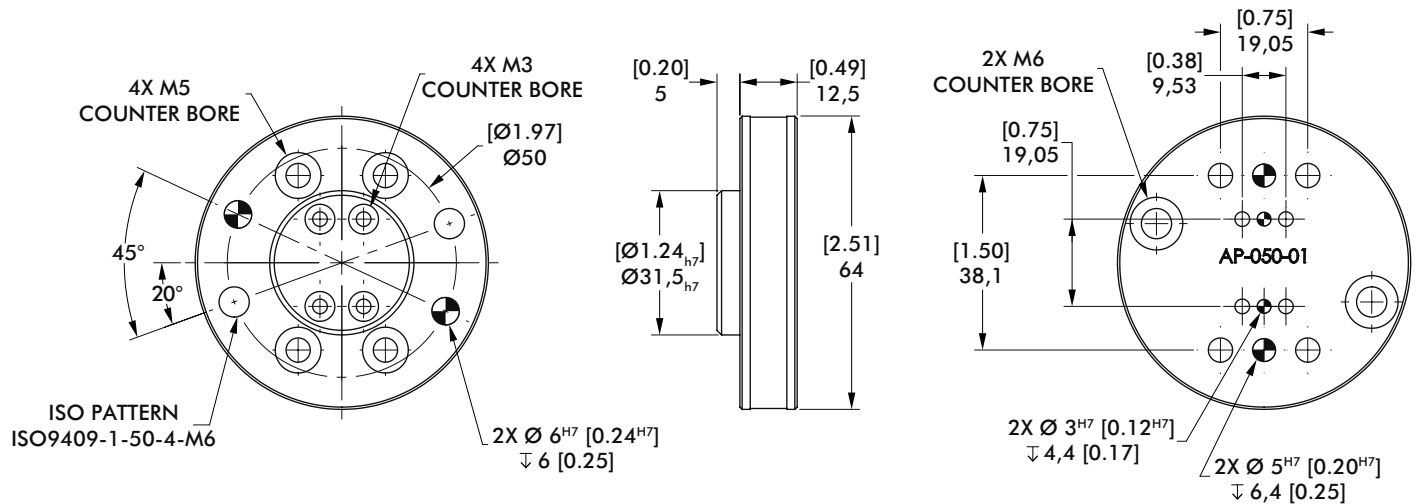
DirectConnect Adapter Kit | Ordering Information

AP-050-01 Robot DirectConnect Adapter Kit for Grippers

Robot Mount Surface



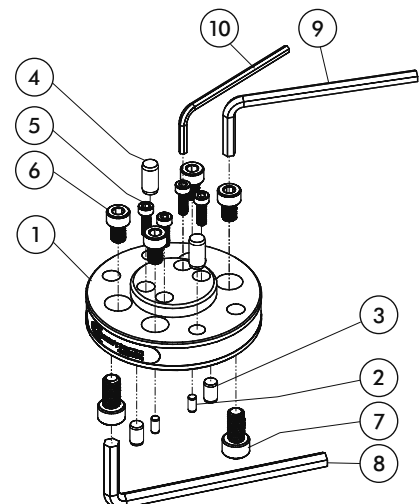
Tooling Surface



Specifications:	Units	AP-050-01
Weight :	Kg [lb]	0,13 [0.28]
Material:		Aluminum
Center of Gravity (COG) [X] [Y] [Z]	mm	[0] [0] [-5.75]
Moment of Inertia @ COG- IXX	[Kg-mm ²]	33,21
Moment of Inertia @ COG- IYY	[Kg-mm ²]	36
Moment of Inertia @ COG- IZZ	[Kg-mm ²]	63,81

AP-050-01 Robot DirectConnect Adapter Kit Components

Item	Description	Quantity
1	Adapter; ISO 50 DirectConnect Plate	1
2	Dowel Pin, $\text{Ø}3\text{mm} \times 6\text{mm}$, Stainless, 316	2
3	Dowel Pin, $\text{Ø}5\text{mm} \times 8\text{mm}$, Stainless, 316	2
4	Dowel Pin, $\text{Ø}6\text{mm} \times 12\text{mm}$, Stainless, 316	2
5	SHCS, M3 x 10mm, Stainless, Patchlock	4
6	SHCS, M5 x 8mm, Stainless, Patchlock	4
7	SHCS, M6 x 12mm, Stainless, Patchlock	2
8	Wrench, Allen, 2.5mm Hex	1
9	Wrench, Allen, 4mm Hex	1
10	Wrench, Allen, 5mm Hex	1



ROBOT DIRECTCONNECT ADAPTER KIT

DirectConnect Sensor | Dimensions and Specifications



OHSN-023 8-Pin M8 NPN Sensor with Plug Connector

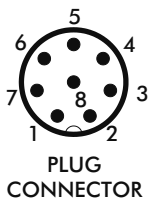
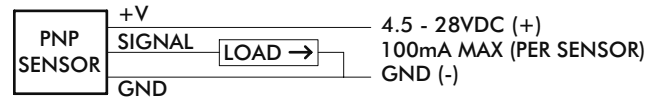
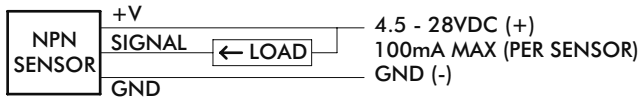
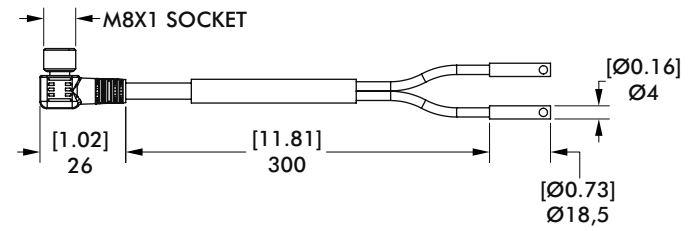
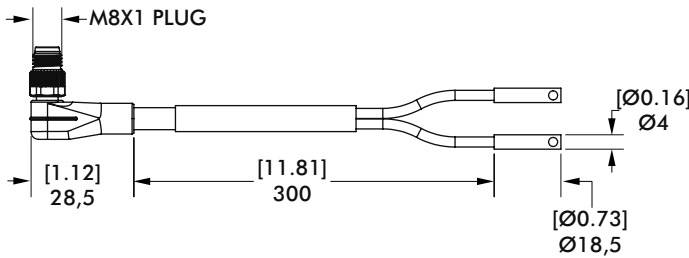


OHSP-022 8-Pin M8 PNP Sensor with Socket Connector

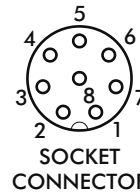


Description:	Part #
NPN Magneto-resistive Sensor	OHSN-023

Description:	Part #
PNP Magneto-resistive Sensor	OHSP-022



Connector Pin	Signal
1	+Vdd
2	SIGNAL B
3	SIGNAL A
4	N/C
5	N/C
6	N/C
7	0V
8	N/C



Connector Pin	Signal
1	N/C
2	N/C
3	SIGNAL A
4	SIGNAL B
5	N/C
6	N/C
7	0V
8	+Vdd

Specifications:	OHSN-023/ OHSP-022
Voltage Supply Range:	4.5-28VDC
Current Consumption:	Max 20mA@24V
Voltage Drop:	Max 0.5V
Max Switching Current:	100mA
Reverse Polarity Protection:	Yes
Short Circuit (Transient) Protection:	Yes
Temperature Range:	-10 to 70°C [14 to 158°F]
Protection Class:	Not Rated
Response Frequency:	1 kHz



ROBOT DIRECTCONNECT ADAPTER KIT

Notes