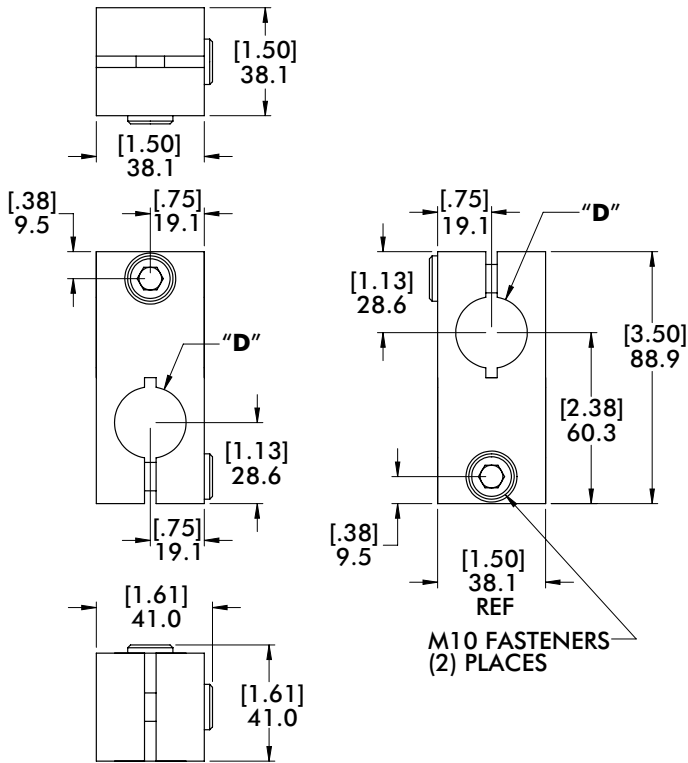


# CROSS TRANSITION BRACKETS AND BLOCKS

Nominal (Ø) given  
See chart on Page 72  
for actual (Ø) size

Round Tooling | Dimensions | Technical Specifications

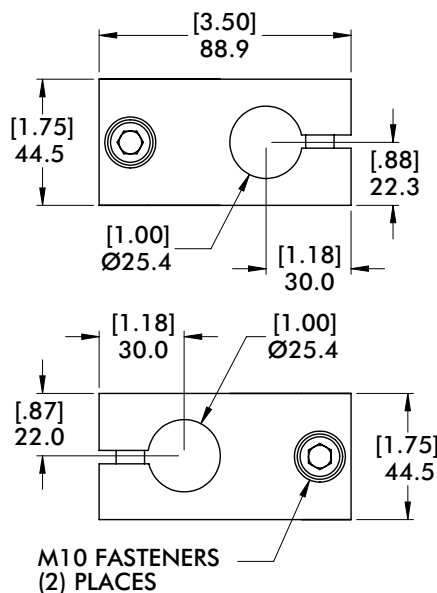
**SC-xx-xx** Ø25mm/1.00" to Ø25mm/1.00" (Single Bolt)



**Specifications:**  
Max. Static Clamp Load:  
162 N\*m [120 ft-lb]  
Material: Aluminum

Model Number	(Ø)"D"	Weight	Finish
CPI-SC-25-25	25mm		SILVER
CPI-SC-25-25-BL	25mm	[.60 lb] .27 kg	BLUE
CPI-SC-1010	1.00"(in)		SILVER

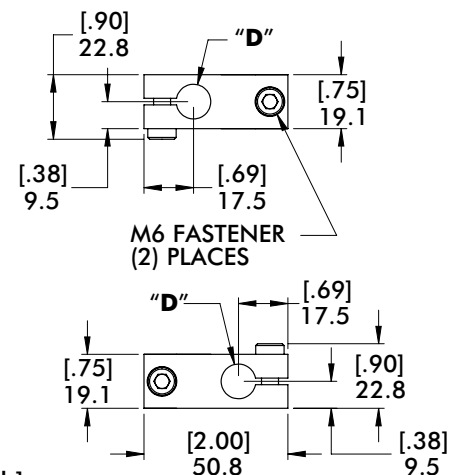
**M1513** Ø1.00" to Ø1.00"



**Specifications:**  
Max. Static  
Clamp Load:  
203 N\*m [150 ft-lb]  
Material: Aluminum

Model Number	Weight
<b>M1513</b>	[.82 lb] .37 kg

**CLM** Ø12mm/.50" to Ø12mm/.50"



**Specifications:**  
Max. Static  
Clamp Load:  
13.6 N\*m [10 ft-lb]  
Material: Aluminum

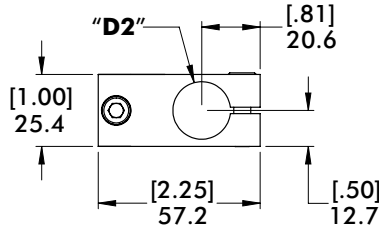
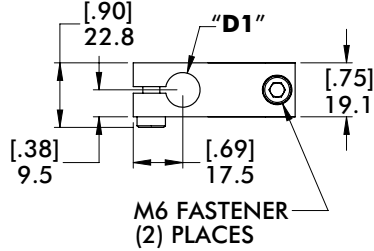
Model Number	(Ø)"D"	Weight
CPI-CLM-12M-12M	12mm	[.10 lb] .05 kg
CPI-CLM-50-50	.50"(in)	

# CROSS TRANSITION BRACKETS AND BLOCKS

Round Tooling | Dimensions | Technical Specifications

Nominal (Ø) given  
See chart on Page 72  
for actual (Ø) size

## CLM Ø20mm/.75" to Ø12mm/.50"

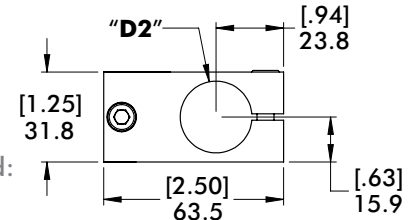
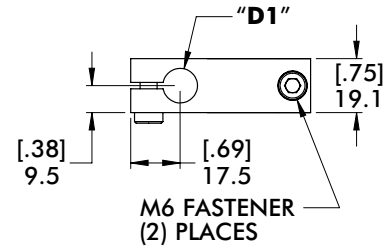


### Specifications:

Max. Static  
Clamp Load:  
Ø20mm/.75":  
20.3 N\*m [15 ft-lb]  
Ø12mm/.50":  
13.6 N\*m [10 ft-lb]  
Material: Aluminum

Model Number	(Ø)"D1"	(Ø)"D2"	Weight
CPI-CLM-20M-12M	12mm	20mm	[13 lb] .06 kg
CPI-CLM-75-50	.50"(in)	.75 in	

## CLM Ø25mm/1.00" to Ø12mm/.50"

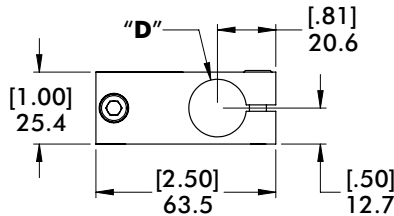
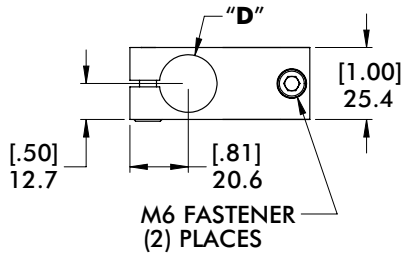


### Specifications:

Max. Static Clamp Load:  
Ø25mm/1.00":  
67.8 N\*m [50 ft-lb]  
Ø12mm/.50":  
13.6 N\*m [10 ft-lb]  
Material: Aluminum

Model Number	(Ø)"D1"	(Ø)"D2"	Weight
CPI-CLM-25M-12M	12mm	25mm	[.08 lb] .17 kg
CPI-CLM-10-50	.50"(in)	1.00"(in)	

## CLM Ø20mm/.75" to Ø20mm/.75"

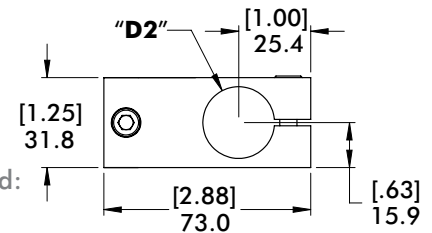
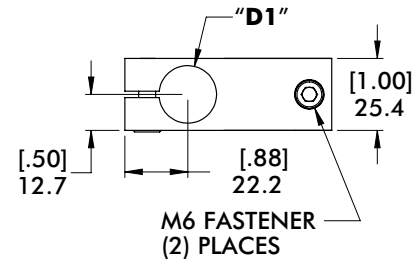


### Specifications:

Max. Static  
Clamp Load:  
20.3 N\*m  
[15 ft-lb]

Model Number	(Ø)"D"	Weight
CPI-CLM-20M-20M	20mm	[.16 lb] .07 kg
CPI-CLM-20M-20M-ST	20mm	[.40 lb] .18 kg
CPI-CLM-75-75	.75"(in)	[.17 lb] .08 kg

## CLM Ø25mm/1.00" to Ø20mm/.75"



### Specifications:

Max. Static Clamp Load:  
Ø25mm/1.00":  
67.8 N\*m [50 ft-lb]  
Ø20mm/.75":  
20.3 N\*m [15 ft-lb]  
Material: Aluminum

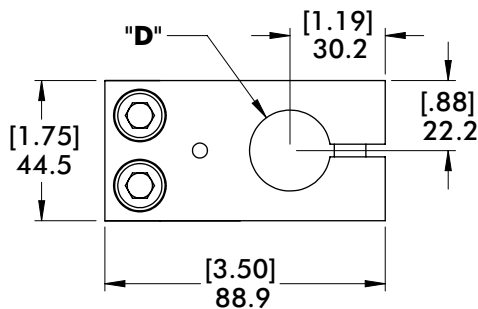
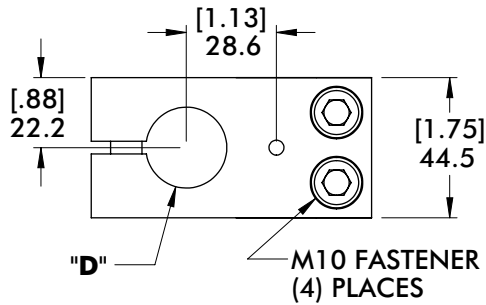
Model Number	(Ø)"D1"	(Ø)"D2"	Weight
CPI-CLM-25M-20M	20mm	25mm	[.23 lb] .11 kg
CPI-CLM-10-75	.75"(in)	1.00"(in)	

# CROSS TRANSITION BRACKETS AND BLOCKS

Nominal (Ø) given  
See chart on Page 72  
for actual (Ø) size

Round Tooling | Dimensions | Technical Specifications

**M-xxx-xxx-M** Ø25mm/1.00" to Ø25mm/1.00" (Double Bolt)

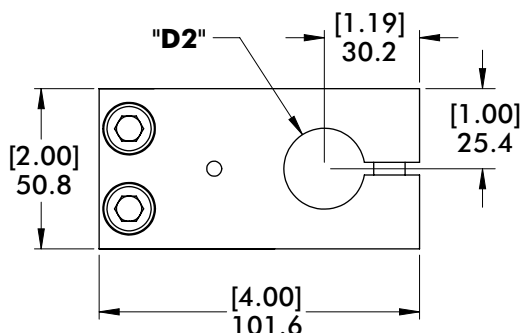
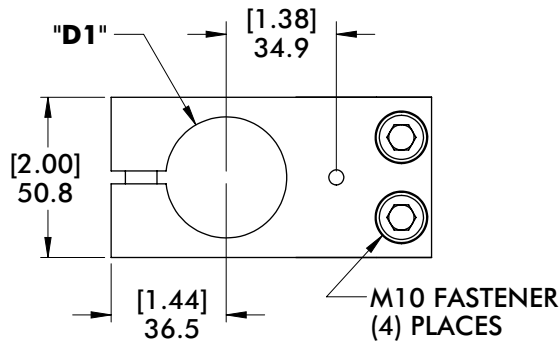


### Specifications:

Max. Static Clamp Load:  
Ø25mm/1.00":  
434 N\*m [320 ft-lb]  
Material: Aluminum

Model Number	(Ø)"D"	Weight	Finish
M-25M-25M-M	25mm	[.93 lb] .42 kg	BLUE
M-10E-10E-M	1.00"(in)		BLACK

**M-xxx-xxx-M** Ø40mm/1.25"/1.50" to Ø25mm/1.00" (Double Bolt)



### Specifications:

Max. Static Clamp Load:  
Ø25mm/1.00":  
434 N\*m [320 ft-lb]  
Ø40mm/1.50":  
624 N\*m [460 ft-lb]  
Material: Aluminum

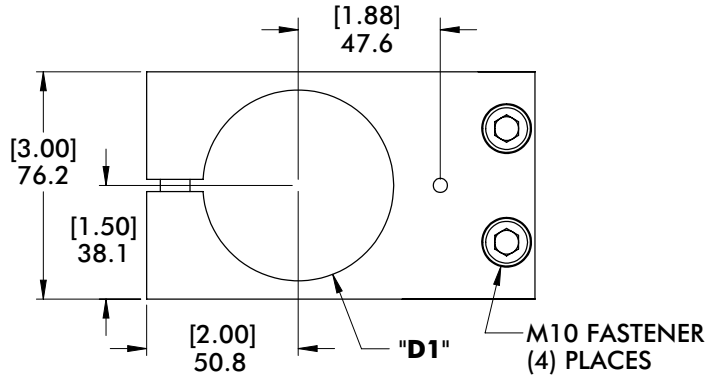
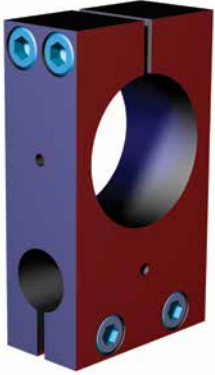
Model Number	(Ø)"D1"	(Ø)"D2"	Weight	Finish
M-10E-12E-M	1.25"(in)	1.00"(in)	[1.29 lb] .58 kg	BLACK
M-10E-15E-M	1.50"(in)	1.00"(in)	[1.18 lb] .54 kg	BLACK
M-25M-40M-M	40mm	25mm		BLUE

# CROSS TRANSITION BRACKETS AND BLOCKS

Round Tooling | Dimensions | Technical Specifications

Nominal (Ø) given  
See chart on Page 72  
for actual (Ø) size

**M-xxx-xxx-M** Ø60mm/2.50" to Ø25mm/1.00" (Double Bolt)



**Specifications:**

Max. Static Clamp Load:

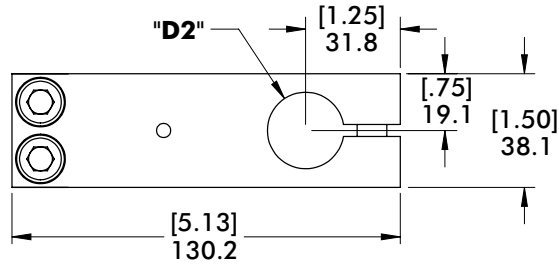
Ø25mm/1.00":

434 N\*m [320 ft-lb]

Ø60mm/2.50":

813 N\*m [600 ft-lb]

Material: Aluminum



Model Number	(Ø)"D1"	(Ø)"D2"	Weight	Finish
M-25M-60M-M	60mm	25mm	[1.52 lb] .69 kg	BLUE
M-10E-25E-M	2.50"(in)	1.00"(in)	[1.44 lb] .65 kg	BLACK

**M-xxx-xxx-M** Ø40mm/1.25"/1.50" to Ø40mm/1.25"/1.50" (Double Bolt)



**Specifications:**

Max. Static Clamp Load:

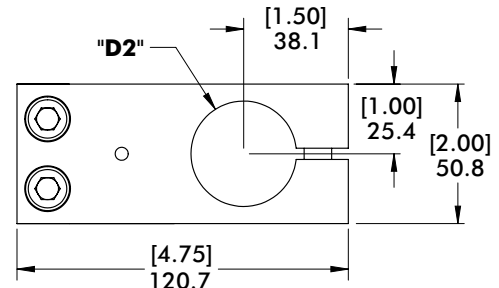
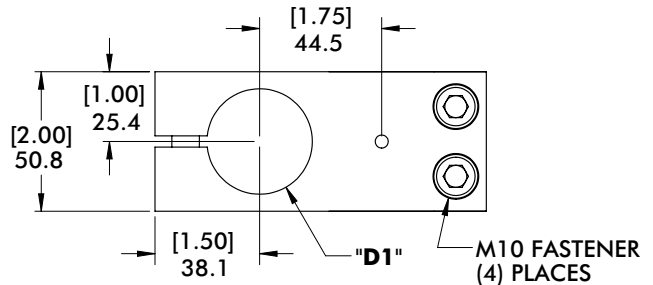
Ø1.25":

515 N\*m [380 ft-lb]

Ø40mm/1.50":

624 N\*m [460 ft-lb]

Material: Aluminum



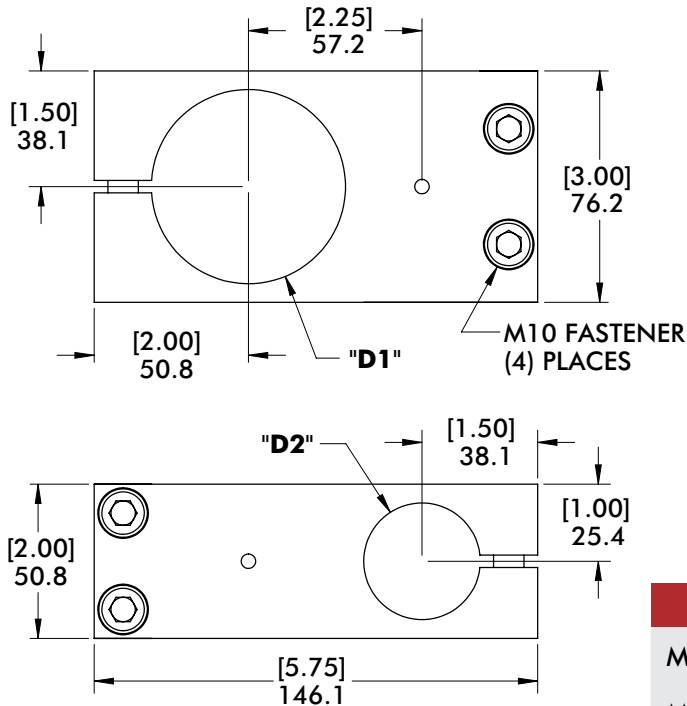
Model Number	(Ø)"D1"	(Ø)"D2"	Weight	Finish
M-12E-12E-M	1.25"(in)	1.25"(in)	[1.51 lb] .69 kg	BLACK
M-12E-15E-M	1.25"(in)	1.50"(in)	[1.41 lb] .64 kg	BLACK
M-15E-15E-M	1.50"(in)	1.50"(in)	[1.31 lb] .59 kg	BLACK
M-40M-40M-M	40mm	40mm	[1.23 lb] .56 kg	BLUE

# CROSS TRANSITION BRACKETS AND BLOCKS

Nominal (Ø) given  
See chart on Page 72  
for actual (Ø) size

Round Tooling | Dimensions | Technical Specifications

**M-xxx-xxx-M** Ø60mm/2.50 to Ø40mm/1.50" (Double Bolt)

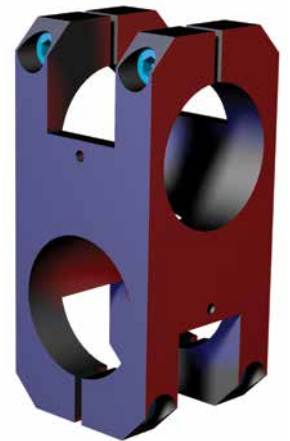
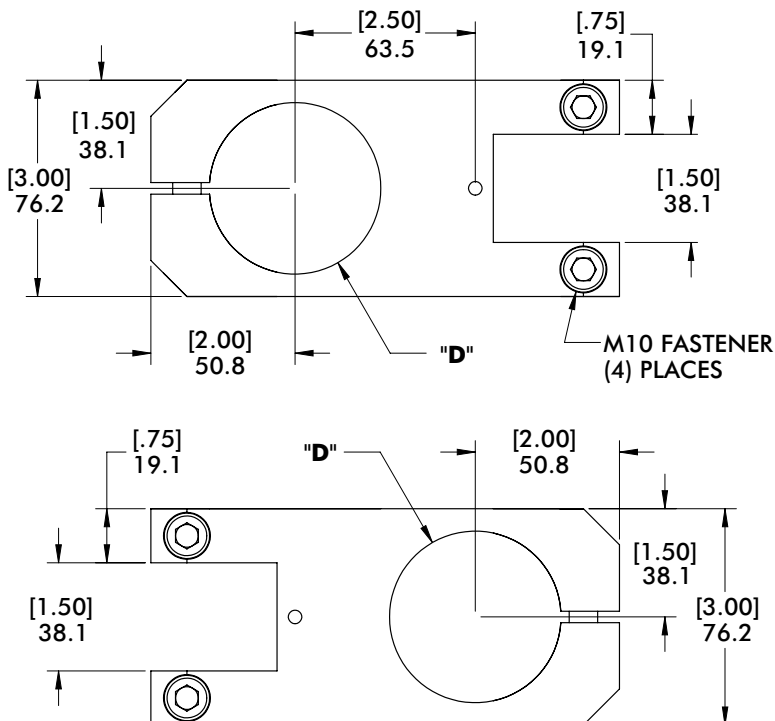


**Specifications:**

Max. Static Clamp Load:  
Ø40mm/1.50":  
624 N\*m [460 ft-lb]  
Ø60mm/2.50":  
813 N\*m [600 ft-lb]  
Material: Aluminum

Model Number	(Ø)"D1"	(Ø)"D2"	Weight	Finish
M-40M-60M-M	60mm	40mm	[2.08 lb] .95 kg	BLUE
M-15E-25E-M	2.50"(in)	1.50"(in)		BLACK

**M-xxx-xxx-M** Ø60mm/2.50" to Ø60mm/2.50" (Double Bolt)



**Specifications:**

Max. Static Clamp Load:  
813 N\*m [600 ft-lb]  
Material: Aluminum

Model Number	(Ø)"D"	Weight	FINISH
M-60M-60M-M	60mm	[2.07 lb] .94 kg	BLUE
M-25E-25E-M	2.50"(in)	[2.03 lb] .92 kg	BLACK