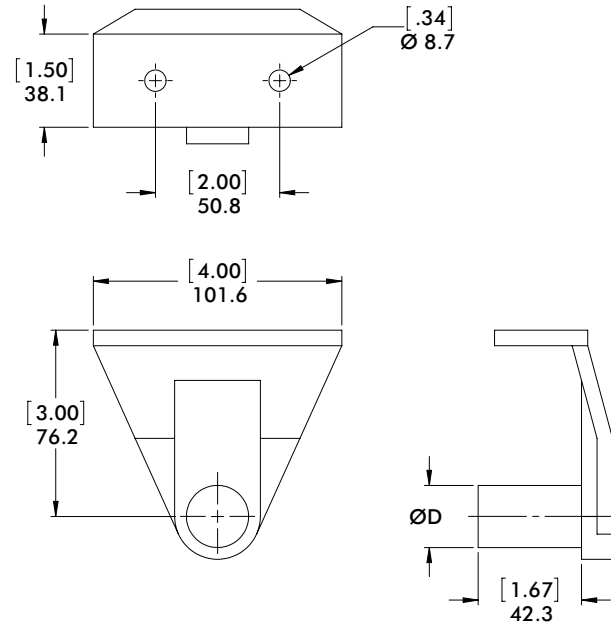


NEST PAD BRACKETS

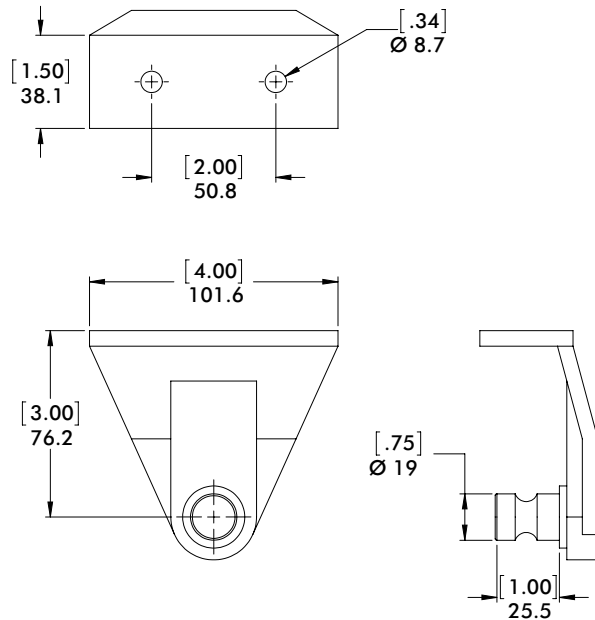
Round Tooling | Dimensions | Technical Specifications

EST



Model Number	ØD	Weight
CPI-EST-00-1E-24	1 in	142 g [5 oz.]
CPI-EST-00-25-410	25mm	142 g [5 oz.]

EST Apple Core Version

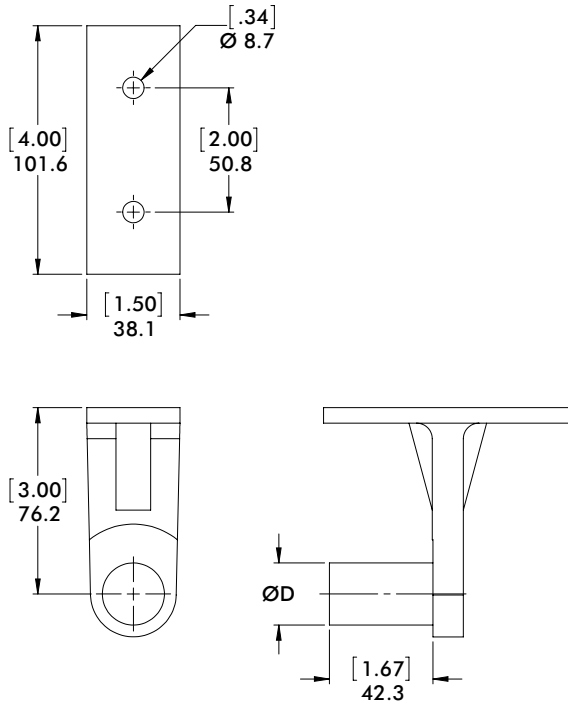


Model Number	Weight
CPI-EST-00-075-24	142 g [5 oz.]
CPI-EST-00-19-410	142 g [5 oz.]

NEST PAD BRACKETS

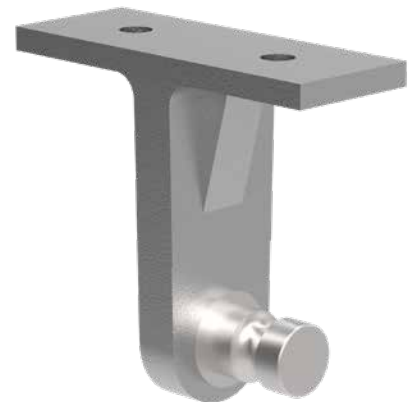
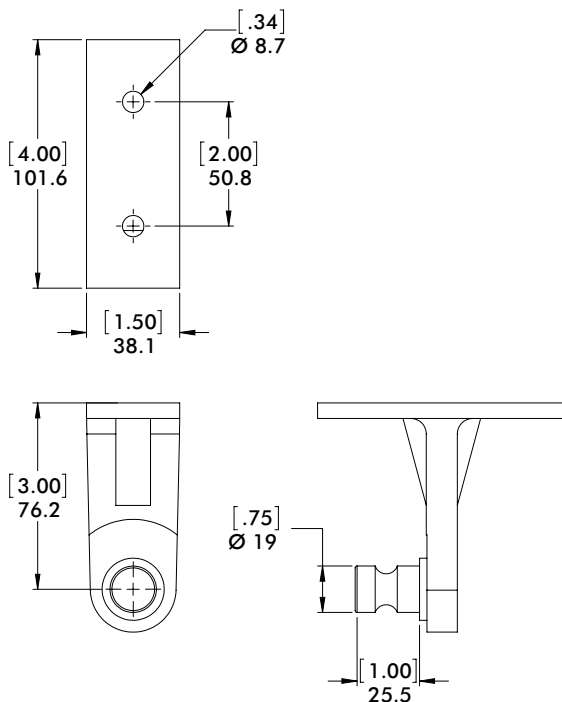
Round Tooling | Dimensions | Technical Specifications

EST 90° Version



Model Number	ØD	Weight
CPI-EST-90-1E-24	1 in	142 g [5 oz.]
CPI-EST-90-25E-410	25mm	142 g [5 oz.]

EST Apple Core 90° Version

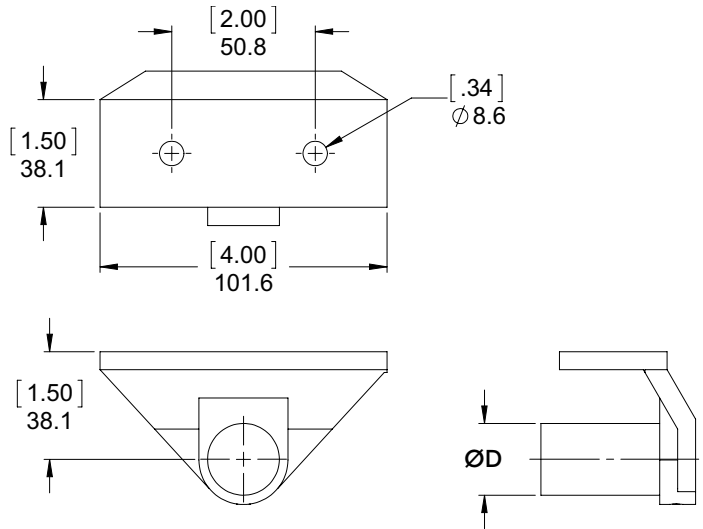
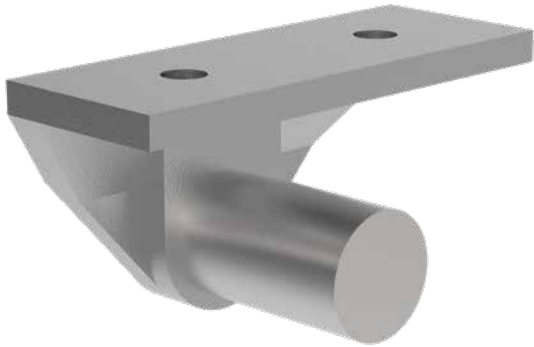


Model Number	Weight
CPI-EST-90-075-24	142 g [5 oz.]
CPI-EST-90-19-410	142 g [5 oz.]

NEST PAD BRACKETS

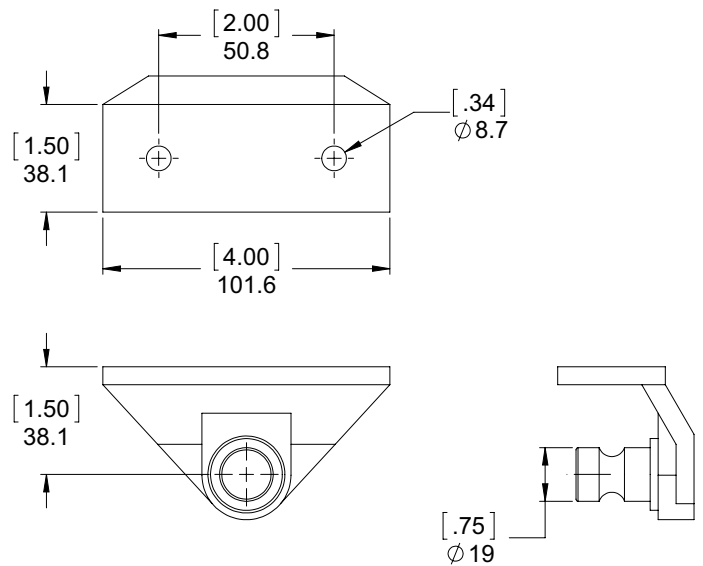
Round Tooling | Dimensions | Technical Specifications

AB Version



Model Number	ØD	Weight
CPI-AB-00-1E-24	1 in	142 g [5 oz.]
CPI-AB-25-410	25mm	142 g [5 oz.]

AB Apple Core Version

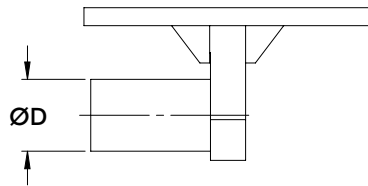
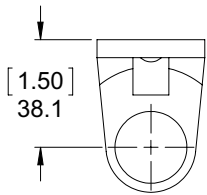
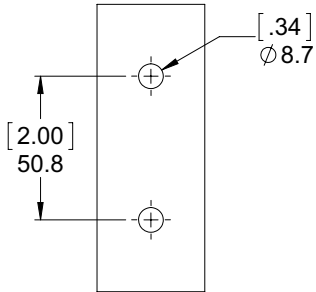


Model Number	Weight
CPI-AB-750-24	142 g [5 oz.]
CPI-AB-19-410	142 g [5 oz.]

NEST PAD BRACKETS

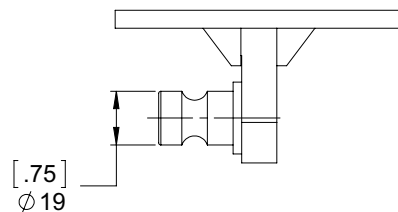
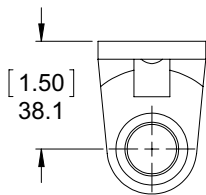
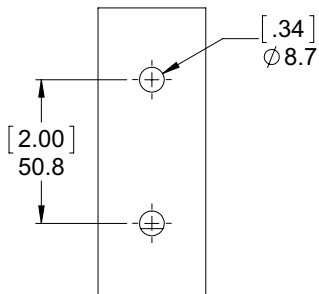
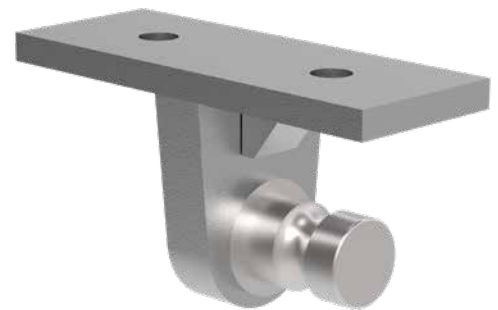
Round Tooling | Dimensions | Technical Specifications

AB 90° Version



Model Number	ØD	Weight
CPI-AB-90-1E-24	1 in	142 g [5 oz.]
CPI-AB-90-25-410	25mm	142 g [5 oz.]

AB Apple Core 90° Version



Model Number	Weight
CPI-AB-90-24	142 g [5 oz.]
CPI-AB-90-19-410	142 g [5 oz.]