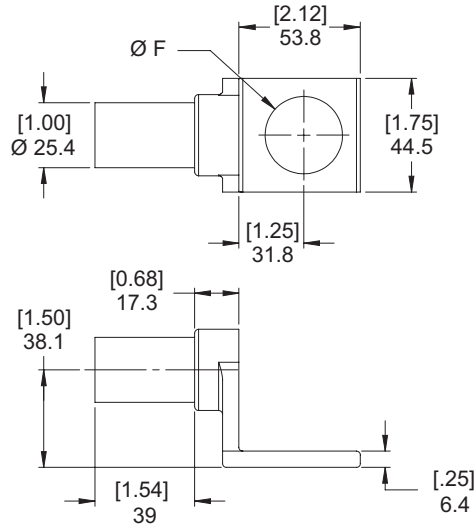
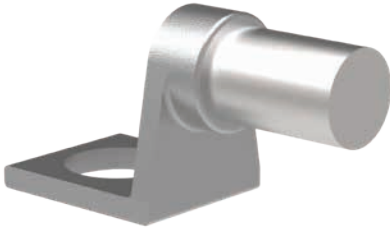


PROXIMITY SWITCH MOUNT

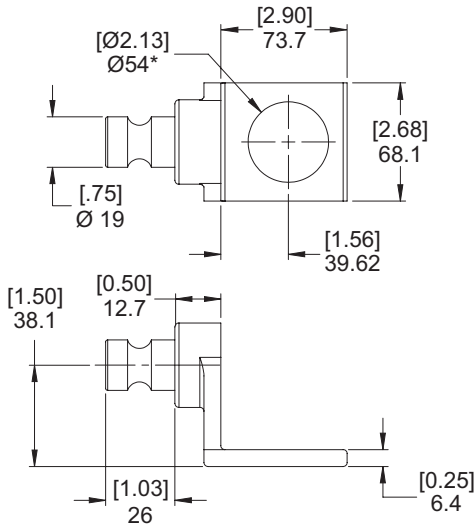
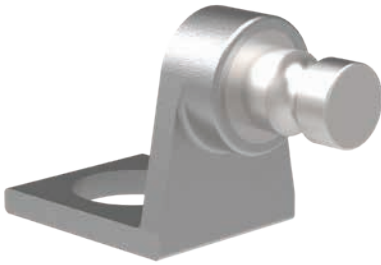
Round Tooling | Dimensions | Technical Specifications

SAP Series with 1" Extension



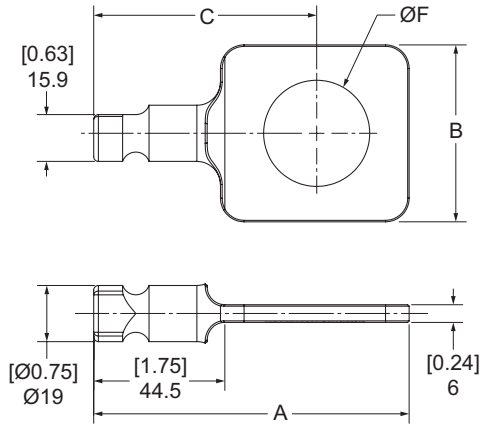
Model Number	(Ø)"F"*	Weight
CPI-SAP-18-1E	[0.71] 18	[0.2 lb] 91 g
CPI-SAP-30-1E	[1.18] 30	[0.2 lb] 91 g

SAP Series with Apple Core



Model Number	Weight
CPI-SAP-54	[0.3 lb] 136 g

BGA Series with Apple Core



Model Number	A	B	C	(Ø)"F"*	Weight
GT-BGA-750-10M				[0.39] 10	[0.13 lb] 57.5 g
GT-BGA-750-18M	[3.58] 91	[1.57] 40	[2.66] 67.6	[0.71] 18	[0.12 lb] 54.7 g
GT-BGA-750-30M				[1.18] 30	[0.10 lb] 47.2 g
GT-BGA-750-36M				[1.42] 36	[0.16 lb] 73.2 g
GT-BGA-750-42M	[4.21] 107	[2.36] 60	[2.98] 75.6	[1.65] 42	[0.15 lb] 67.3 g
GT-BGA-750-47M	[4.37] 111	[2.68] 68	[3.06] 77.6	[1.85] 47	[0.16 lb] 74.3 g

*Nominal Sensor Diameter