

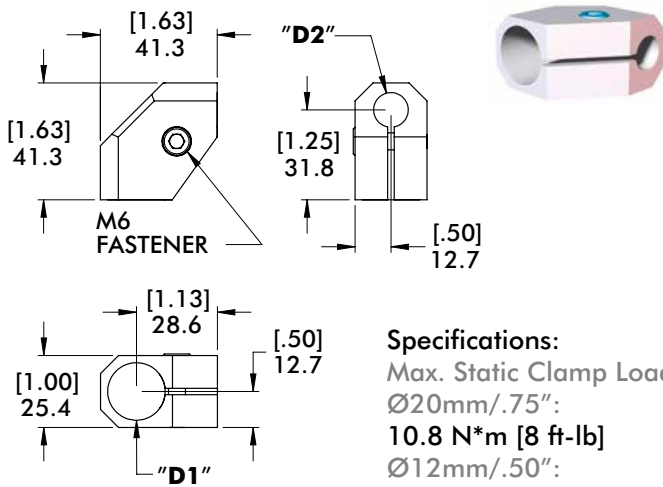
WRIST CLAMPS

Round Tooling | Dimensions | Technical Specifications

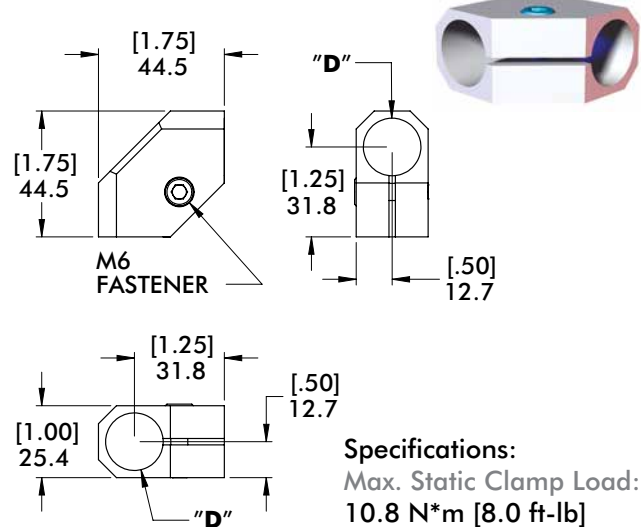
Nominal (Ø) given
See chart on Page 72
for actual (Ø) size

SECM Ø20mm/.75" to Ø12mm/.50"

SECM Ø20mm/.75" to Ø20mm/.75"



Specifications:
Max. Static Clamp Load:
Ø20mm/.75":
10.8 N*m [8 ft-lb]
Ø12mm/.50":
10.8 N*m [8 ft-lb]
Material: Aluminum



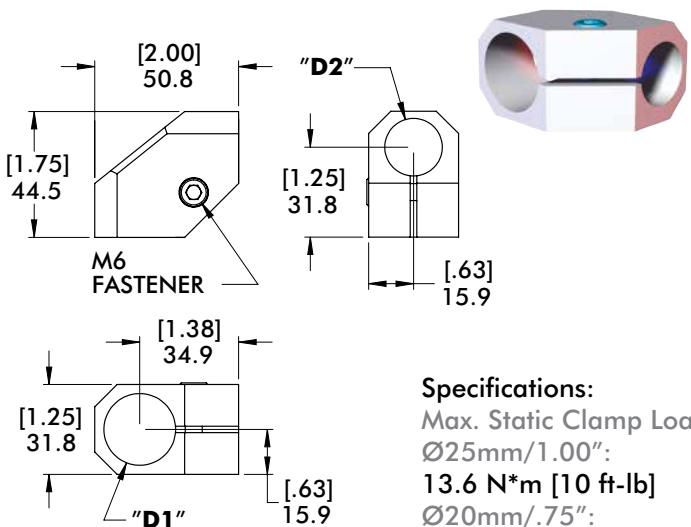
Specifications:
Max. Static Clamp Load:
10.8 N*m [8.0 ft-lb]
Material: Aluminum

Model Number	(Ø)"D1"	(Ø)"D2"	Weight
CPI-SECM-2012M	12mm	20mm	[.12 lb] .05 kg
CPI-SECM-7550	.50"(in)	.75"(in)	

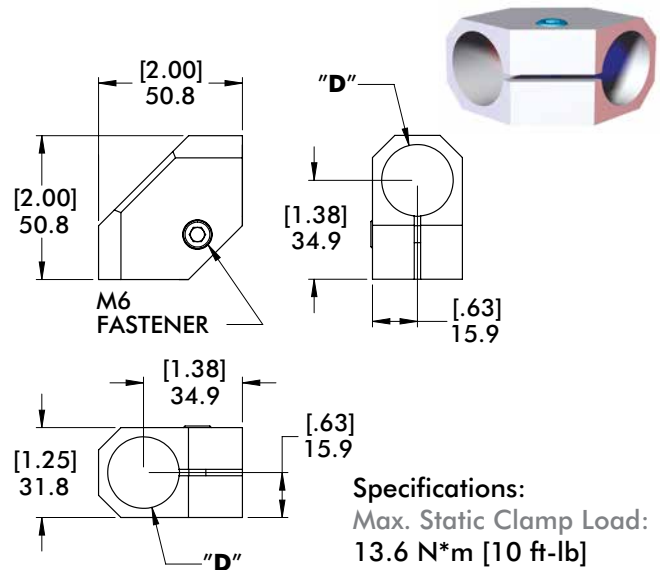
Model Number	(Ø)"D"	Weight
CPI-SECM-2020M	20mm	[.12 lb] .06 kg
CPI-SECM-7575	.75"(in)	

SECM Ø25mm/1.00" to Ø20mm/.75"

SECM Ø25mm/1.00" to Ø25mm/1.00"



Specifications:
Max. Static Clamp Load:
Ø25mm/1.00":
13.6 N*m [10 ft-lb]
Ø20mm/.75":
10.8 N*m [8.0 ft-lb]
Material: Aluminum



Specifications:
Max. Static Clamp Load:
13.6 N*m [10 ft-lb]
Material: Aluminum

Model Number	(Ø)"D1"	(Ø)"D2"	Weight
CPI-SECM-2520M	25mm	20mm	[.17 lb] .08 kg
CPI-SECM-1075	1.00"(in)	.75"(in)	

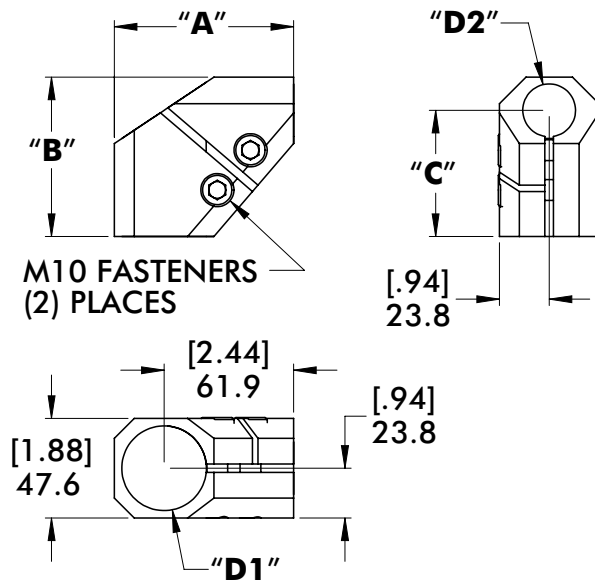
Model Number	(Ø)"D"	Weight
CPI-SECM-2525M	25mm	[.17 lb] .08 kg
CPI-SECM-1010	1.00"(in)	

WRIST CLAMPS

Nominal (Ø) given
See chart on Page 72
for actual (Ø) size

Round Tooling | Dimensions | Technical Specifications

SEC/SLK Ø40mm/1.50" to Ø25mm/1.00"



Specifications:
Max. Static Clamp Load:
Ø40mm/1.50":
271 N*m [200 ft-lb]
Ø25mm/1.00":
203 N*m [150 ft-lb]
Material: Aluminum

Model Number	(Ø)"D1"	(Ø)"D2"	"A"	"B"	"C"	"E"	Weight
CPI-SEC-1510	1.50"(in)	1.00"(in)	[3.25] 82.6	[2.38] 60.3	[1.75] 44.5	[.88] 22.2	[.67 lb] .31 kg
CPI-SLK-4025	40mm	25mm	[3.38] 85.7	[2.44] 61.9	[1.88] 47.6	[.94] 23.8	[.77 lb] .35 kg