

Service Manual

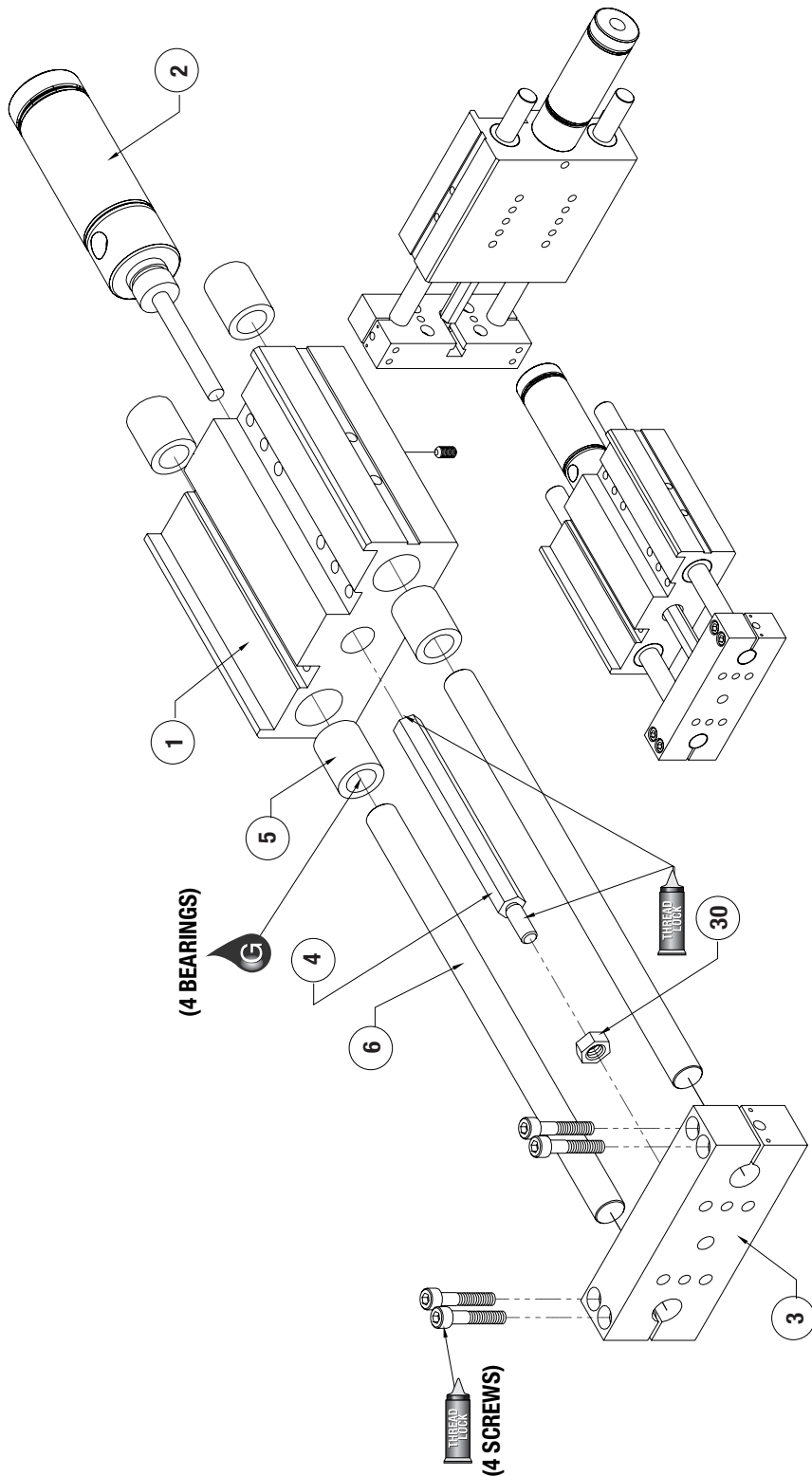
ROBOHAND | DLT Externally Powered Series



WARNING: This is a controlled document. It is your responsibility to deliver this information to the end user of the Destaco Robohand product. Failure to deliver this could result in your liability for injury to the user or damage to the machine. For copies of this manual, call your Customer Service Representative at 1.248.836.6700

DLT-T, A, N, U SERIES

Linear Slides | Maintenance and Assembly Procedure



Item	Qty	Name
------	-----	------

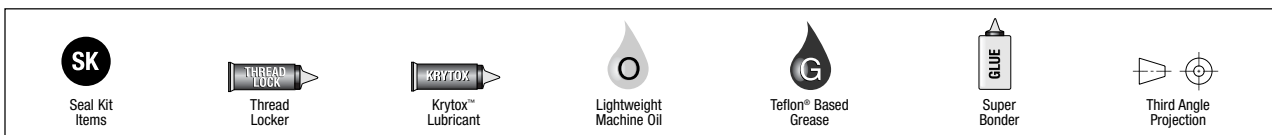
01	1	Body, Externally Powered
02	1	Cylinder
03	1	Tooling Plate
04	1	Shaft, Extender
05	4	Bushing
06	2	Guide Shaft
30	1	Nut, Stover

NOTE: Contact the Robohand Sales Department for a complete spare parts list with order numbers and prices.

Assembly Procedure

- 1) Install bearings and shafts into body.
- 2) Attach shaft extender to cylinder rod and install through body.
- 3) Fasten tool plate to shaft ends.
- 4) Install shaft extender to tool plate.

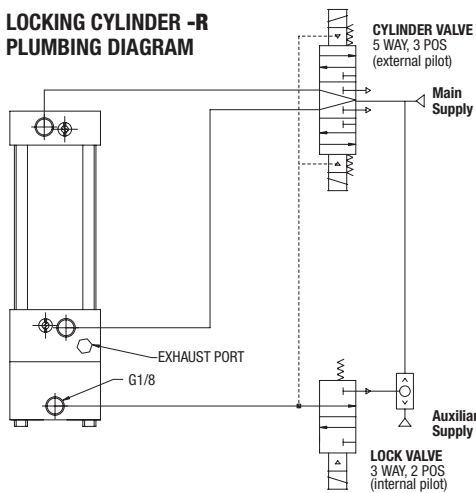
SK Seal Repair Kit Order #'s See Product Data Sheets



DLT-T, A, N, R, U SERIES

Linear Slides | Maintenance and Assembly Procedure

LOCKING CYLINDER -R PLUMBING DIAGRAM



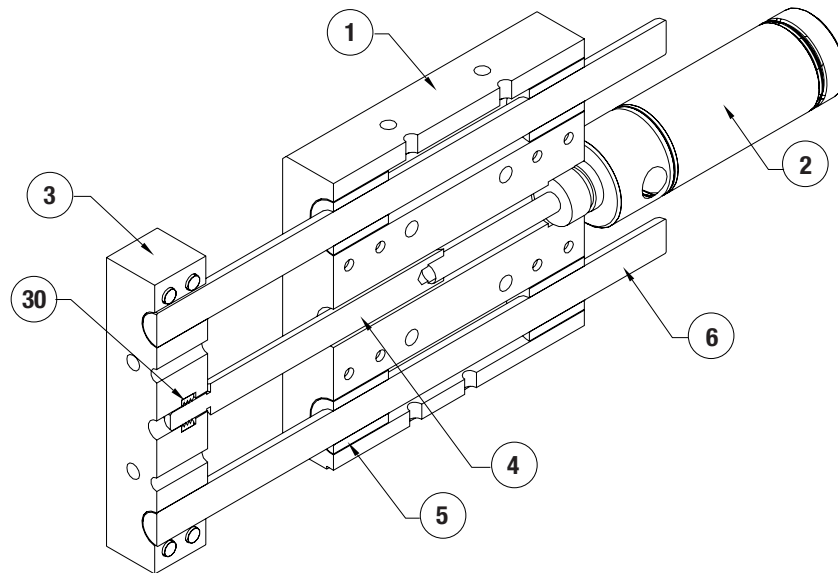
- 1) Lock valve must be maintained energized during cylinder motion, otherwise lock is engaged and cylinder valve shifts to mid position.
- 2) Cylinder valve must be maintained energized during extend or retract. Also, keep energized at end of stroke until change of direction is desired.
- 3) Mid-position of 5/3 cylinder valve may be pressurized outlets if the combination of pressure load on the cylinder and inertia effects of the attached load do not exceed the holding force rating of the locking device, including allowance for wear.
- 4) DO NOT use cylinder lines for any logic functions - pressure levels vary too much.

Item Qty Name

Item	Qty	Name
01	1	Body, Externally Powered
02	1	Cylinder
03	1	Tooling Plate
04	1	Shaft, Extender
05	4	Bushing
06	2	Guide Shaft
30	1	Nut, Stover

NOTE: Contact the Robohand Sales Department for a complete spare parts list with order numbers and prices.

NOTE: For accessory mounting, see product data sheets



Seal Kit
Items



Thread
Locker



Krytox™
Lubricant



Lightweight
Machine Oil



Teflon® Based
Grease



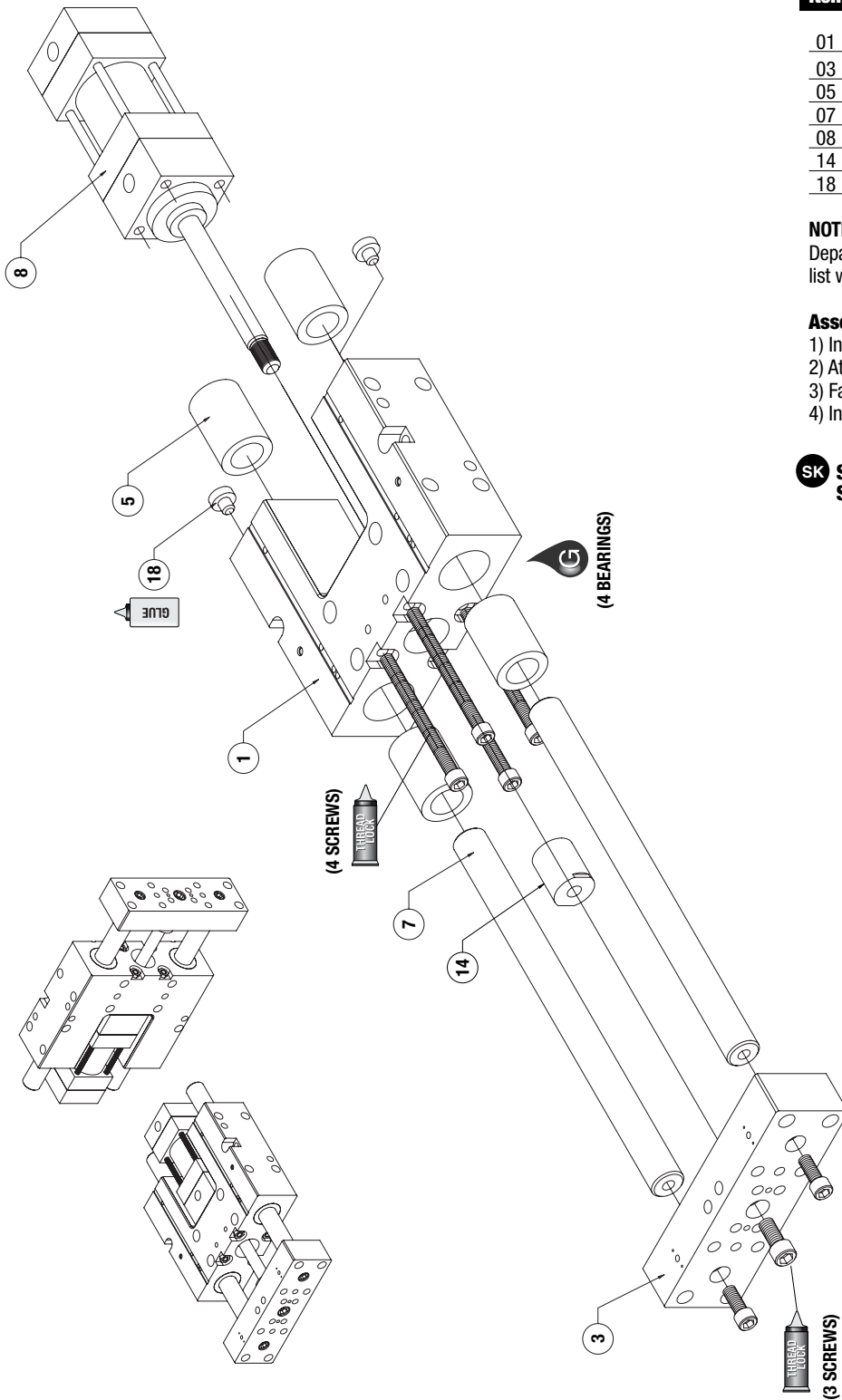
Super
Bonder



Third Angle
Projection

DLT-30, 35 SERIES

Linear Slides | Maintenance and Assembly Procedure



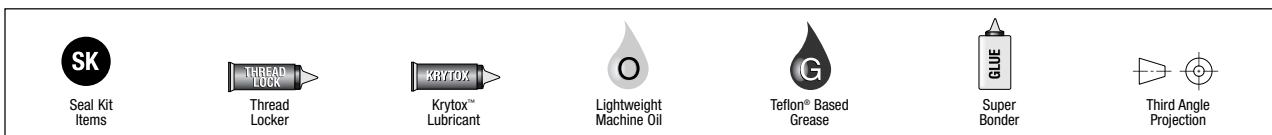
Item Qty	Name
01	1 Body
03	1 Tooling Plate
05	4 Bearing, Linear
07	2 Shaft
08	1 Cylinder
14	1 Coupler
18	2 Impact Button

NOTE: Contact the Robohand Sales Department for a complete spare parts list with order numbers and prices.

Assembly Procedure

- 1) Install bearings and shafts into body.
- 2) Attach cylinder to body.
- 3) Fasten tool plate to shaft ends.
- 4) Install cylinder rod to tool plate.

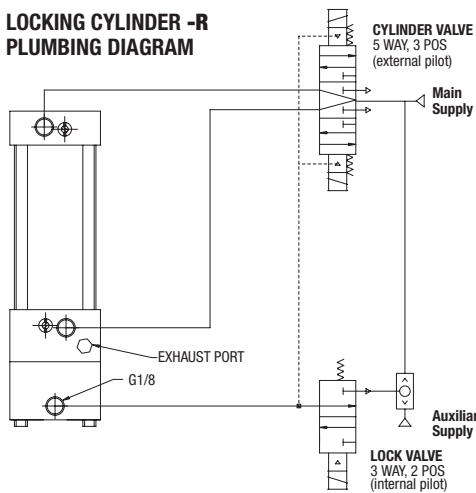
SK Seal Repair Kit Order #'s
See Product Data Sheets



DLT-30, 35, -R SERIES

Linear Slides | Maintenance and Assembly Procedure

LOCKING CYLINDER -R PLUMBING DIAGRAM

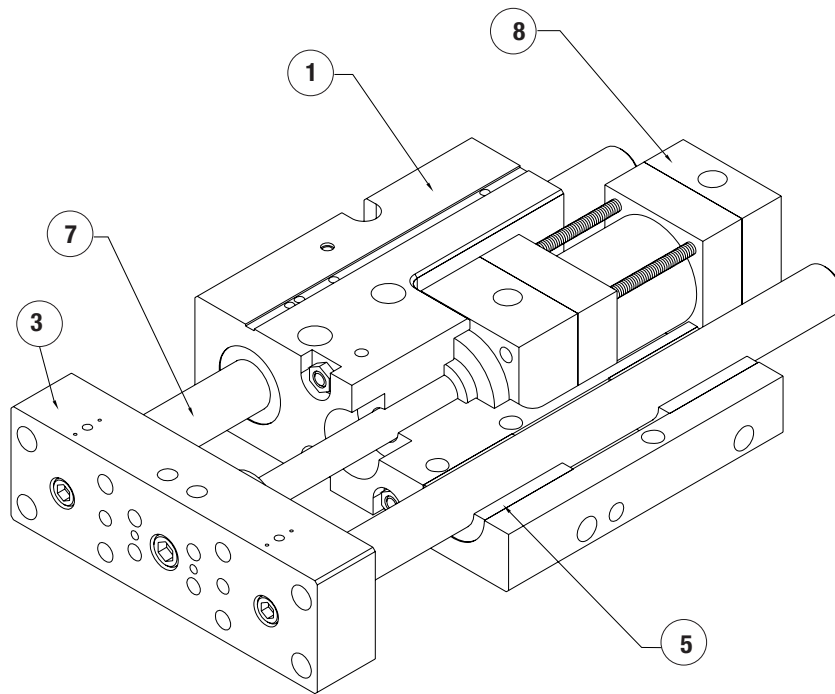


- 1) Lock valve must be maintained energized during cylinder motion, otherwise lock is engaged and cylinder valve shifts to mid position.
- 2) Cylinder valve must be maintained energized during extend or retract. Also, keep energized at end of stroke until change of direction is desired.
- 3) Mid-position of 5/3 cylinder valve may be pressurized outlets if the combination of pressure load on the cylinder and inertia effects of the attached load do not exceed the holding force rating of the locking device, including allowance for wear.
- 4) DO NOT use cylinder lines for any logic functions - pressure levels vary too much.

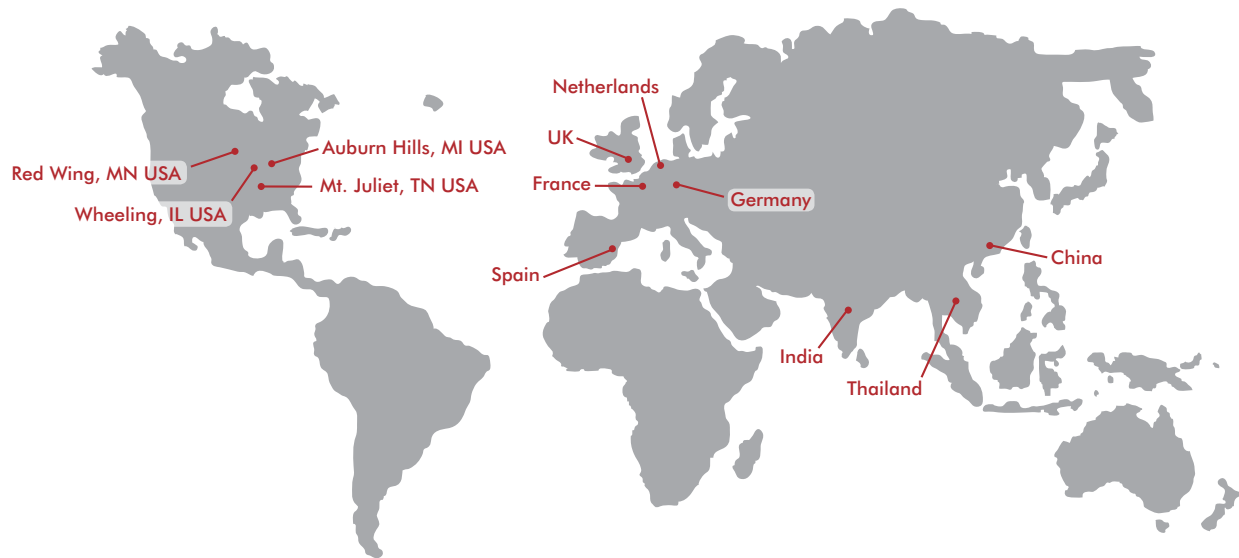
Item	Qty	Name
01	1	Body
03	1	Tooling Plate
05	4	Bearing, Linear
07	2	Shaft
08	1	Cylinder
14	4	Rod, Tie
18	2	Impact Button

NOTE: Contact the Robohand Sales Department for a complete spare parts list with order numbers and prices.

NOTE: For accessory mounting, see product data sheets



Seal Kit Items	Thread Locker	Krytox™ Lubricant	Lightweight Machine Oil	Teflon® Based Grease	Super Bonder	Third Angle Projection



GLOBAL LOCATIONS

NORTH AMERICA

Corporate Headquarters

Auburn Hills, Michigan
Toll Free: 1.888.DESTACO
Marketing: marketing@destaco.com

Global Technology Center

Auburn Hills, Michigan
Tel: 1.248.836.6700
Customer Service: customerservice@destaco.com

Mt. Juliet, Tennessee
Tel: 1.888.DESTACO
Customer Service: customerservice@destaco.com

Wheeling, Illinois
Tel: 1.800.645.5207
Customer Service: camco@destaco.com

Red Wing, Minnesota (Central Research Laboratories)
Tel: 651.385.2142
Customer Service: sales@centres.com

ASIA

Bangkok, Thailand
Tel: +66-2-326-0812
Customer Service: info@destaco.com

Shanghai, China
Tel: +86-21-6081-2888
Customer Service: china@destaco.com

Bangalore, India
Tel: +91-80-41123421-426
Customer Service: india@destaco.com

EUROPE

Oberursel, Germany
Tel: +49-6171-705-0
Customer Service: europe@destaco.com

Sainte Florine, France
Tel: +33-4-73545001
Customer Service: france@destaco.com

Wolverhampton, United Kingdom
Tel: +44-1902-797980
Customer Service: uk@destaco.com

Sant Boi de Llobregat, Spain
Tel: +34-936361680
Customer Service: spain@destaco.com

Uithoorn, Netherlands
Tel: +31-297285332
Customer Service: benelux@destaco.com