

BODYBUILDER™ MID FLANGE CLAMPS



BodyBuilder™ Octagonal Tooling | Dimensions | Technical Specifications

TBC-60 60mm Mid Flange Clamp Mount

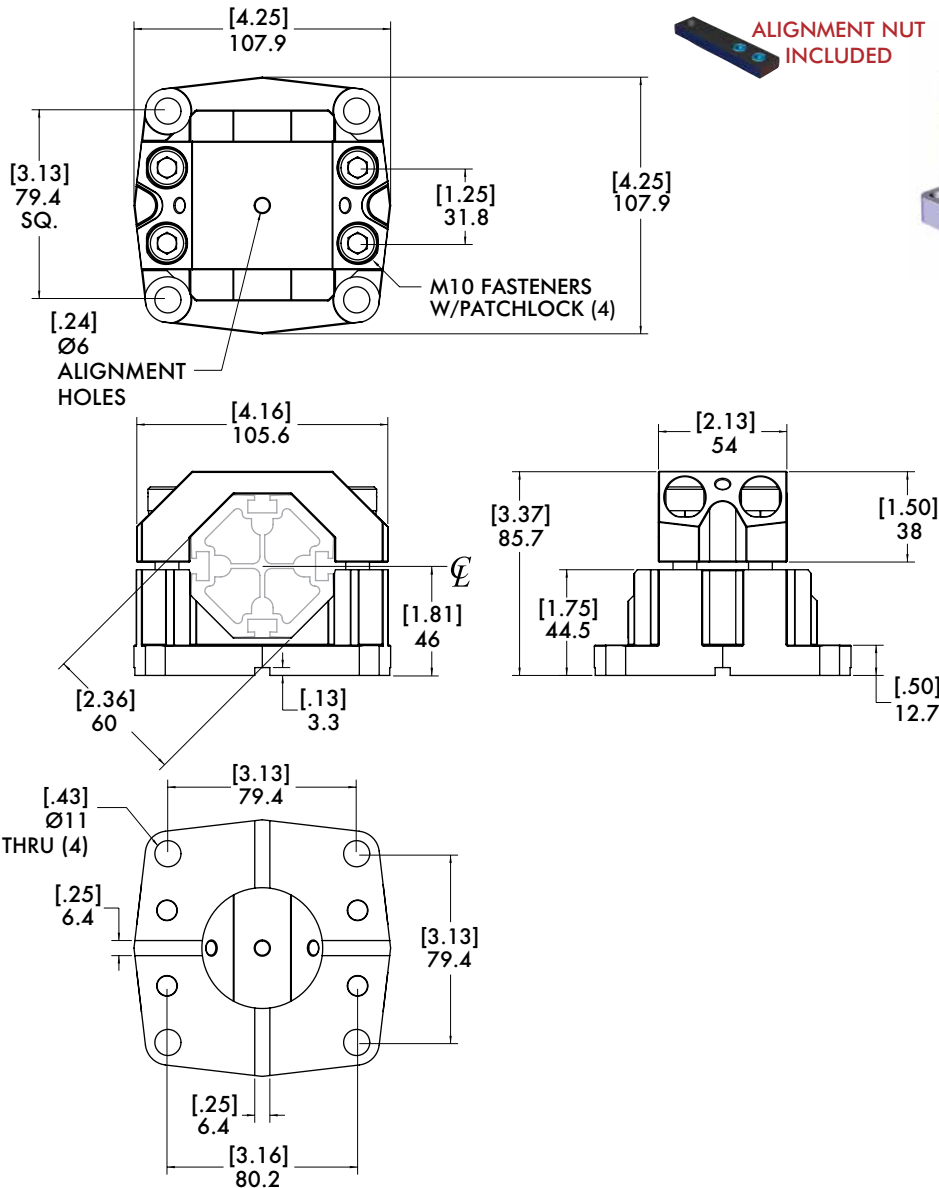
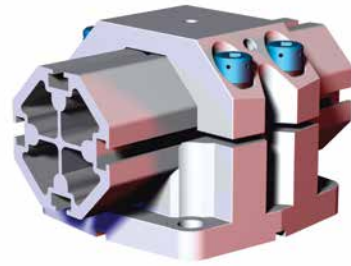
Features:

- Mounts 60mm extrusion parallel to the mounting surface.
- Can be used to mount to robot with an interface plate.
- Cross-key design provides added strength for high-torque applications when used in conjunction with a slot and key mechanism.

Specifications:

Max. Static Clamp Load:
746 Nm [550 ft-lb]

Material: Cast Aluminum



Cross Key sold separately: (2) x 540-25388

Model Number	Weight
TBC-60-00	0.92 kg [2.02 lb]