

# CAMCO Servo Positioning Rotary Solutions

## CAMCO Servo Positioner **GTB Series** Rotary Tables

DESTACO's CAMCO GTB series rotary tables are the lightest, most compact high accuracy servo positioners available. The exceptional low profile hi-torque output design supports the demands of typical high load inertia applications.

Available in four sizes, the GTB units are lubricated for life and can be mounted in either horizontal or vertical orientations. The GTB Series feature the largest utility through hole diameter available for its size, making it ideal for space constrained machine applications.

The GTB is 34% lower in height and 64% lower in weight when compared to competitive models, while being able to deliver 1.4 times more torque.



### Product Highlights/Options

- Freely programmable
- High accuracy
- Lightweight compact design
- Zero-maintenance lubricated for life
- Compatible with multiple brands of servo motors



INDEXING

### Features, Markets and Applications

<p>STRENGTH</p>	<ul style="list-style-type: none"> <li>• 60:1 gear ratio for high torque applications</li> <li>• Large payload capacity in compact housing</li> <li>• Light weight rigid steel housing</li> </ul>	<p>TRANSPORTATION</p>	<p>MOLDING</p>
<p>PERFORMANCE</p>	<ul style="list-style-type: none"> <li>• Lubricated for life for minimal wear</li> <li>• Up to 85mm large through-hole for utilities</li> <li>• Vertical and horizontal orientation with the same model</li> </ul>	<p>CONSUMER</p>	<p>CLEAN ROOM</p>
<p>PRECISION</p>	<ul style="list-style-type: none"> <li>• Zero backlash with direct motor coupling</li> <li>• 40 arc second accuracy available for Precision positioning</li> <li>• Smooth operation using a precision engineered globoidal roller cam design</li> </ul>	<p>PACKAGING</p>	<p>FIXTURE/TESTING</p>

## GTB Series Globoidal (Roller Gear) Servo Positioner



**GTB100**  
Max Start/Stop Torque:  
880 Nm [649.05 ft lbs]

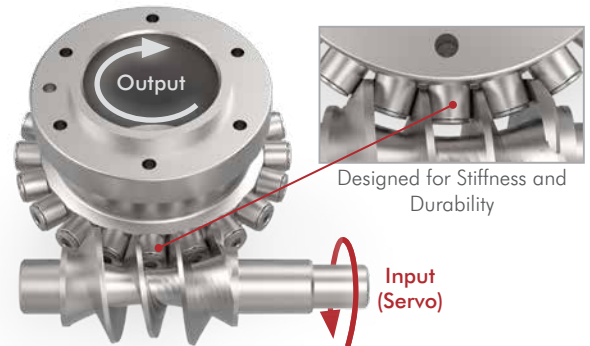
**GTB40**  
Max Start/Stop Torque:  
94 Nm [63.33 ft lbs]

**GTB80**  
Max Start/Stop Torque:  
307 Nm [226.43 ft lbs]

**GTB63**  
Max Start/Stop Torque:  
210 Nm [154.89 ft lbs]

### Zero Backlash Roller Gear Cam Mechanism

Innovative roller gear design provides exceptionally smooth motion performance. The globoidal cam and output turret with integrated rollers are a preloaded system that delivers zero backlash for superior accuracy, stiffness and long term durability.



Designed for Stiffness and Durability

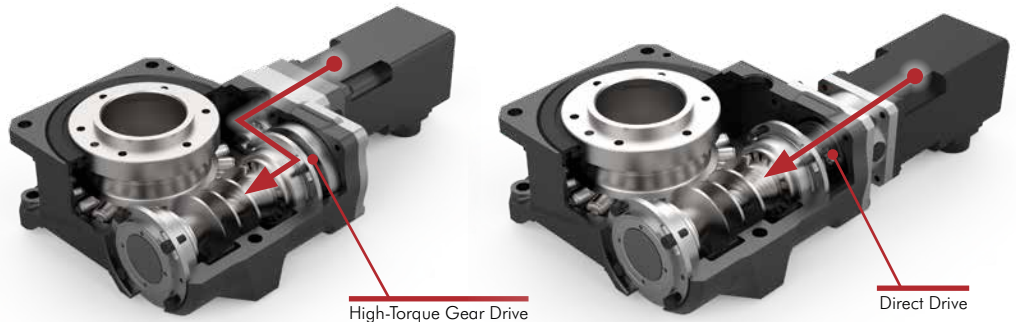
Input (Servo)

### Flexible Drive Options

Each GTB model can be ordered in two different drive options.

The high-torque gear drive option is used for applications with large inertia requirements while maintaining a small motor size.

The direct drive option provides zero backlash, high precision operation. Both options interface with an array of servo motor suppliers.



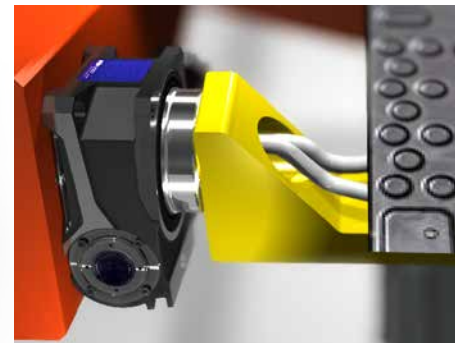
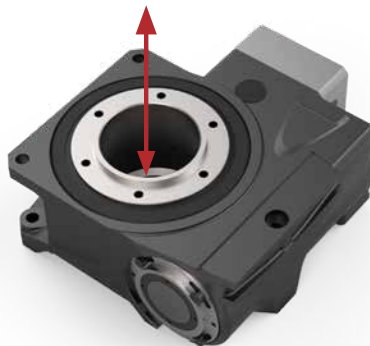
High-Torque Gear Drive

Direct Drive

### Competitive thru-hole and size comparison

The GTB Series feature the largest utility through hole diameter available for its size, making it ideal for space constrained machine applications.

The GTB is **34%** lower in height and **64%** lower in weight when compared to competitive models, while being able to deliver **1.4 times** more torque.



Dimensions and technical information are subject to change without notice.

**GERMANY**  
+49-6171-705-0  
europe@destaco.com

**UNITED KINGDOM**  
+44-1902-797980  
uk@destaco.com

**NETHERLANDS**  
+31-297285332  
benelux@destaco.com

**THAILAND**  
+66-2-326-0812  
asia@destaco.com

**USA**  
+1-888-DESTACO  
+1-248-836-6700  
northamerica@destaco.com

**FRANCE**  
Tel: +33-4-7354-5001  
france@destaco.com

**SPAIN**  
+34-936361680  
spain@destaco.com

**CHINA**  
+86-21-6081-2888  
china@destaco.com

**INDIA**  
+91-80-41123421-426  
india@destaco.com